



2SA1013

PNP EPITAXIAL SILICON TRANSISTOR

PNP EPITAXIAL SILICON TRANSISTOR

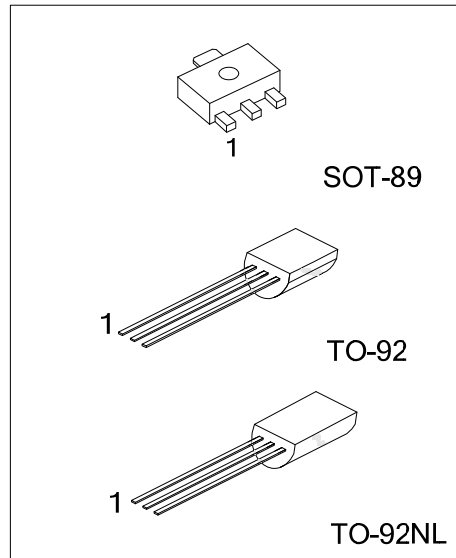
■ DESCRIPTION

The UTC **2SA1013** is a PNP epitaxial silicon transistor, it uses UTC's advanced technology to provide the customers with high BV_{CEO} and high DC current gain, etc.

The UTC **2SA1013** is suitable for power switching and color TV vertical deflection output, etc.

■ FEATURES

- * High BV_{CEO}
- * High DC current gain
- * Large continuous collector current capability



■ ORDERING INFORMATION

Ordering Number		Package	Pin assignment			Packing
Lead Free	Halogen Free		1	2	3	
-	2SA1013G-x-AB3-R	SOT-89	B	C	E	Tape Reel
2SA1013L-x-T92-B	2SA1013G-x-T92-B	TO-92	E	C	B	Tape Box
2SA1013L-x-T92-K	2SA1013G-x-T92-K	TO-92	E	C	B	Bulk
2SA1013L-x-T9N-B	2SA1013G-x-T9N-B	TO-92NL	E	C	B	Tape Box
2SA1013L-x-T9N-K	2SA1013G-x-T9N-K	TO-92NL	E	C	B	Bulk

Note: Pin Assignment: B: Base C: Collector E: Emitter

<p>2SA1013L-x-AB3-R</p> <p>(1) Packing Type (2) Package Type (3) Rank (4) Green Package</p>	<p>(1) R: Tape Reel, B: Tape Box, K: Bulk (2) AB3: SOT-89, T92: TO-92, T9N: TO-92NL (3) refer to Classification of h_{FE} (4) G: Halogen Free and Lead Free, L: Lead Free</p>
---	--

■ MARKING

SOT-89	TO-92	TO-92NL

■ ABSOLUTE MAXIMUM RATINGS ($T_A=25^\circ\text{C}$, unless otherwise specified)

PARAMETER		SYMBOL	RATINGS	UNIT
Collector-Base Voltage		V_{CBO}	-160	V
Collector-Emitter Voltage		V_{CEO}	-160	V
Emitter-Base Voltage		V_{EBO}	-6	V
Collector Current		I_C	-1	A
Base Current		I_B	-0.5	A
Collector Power Dissipation	SOT-89	P_C	500	W
	TO-92/TO-92NL		900	W
Junction Temperature		T_J	150	$^\circ\text{C}$
Storage Temperature		T_{STG}	-55 ~ 150	$^\circ\text{C}$

Note: Absolute maximum ratings are those values beyond which the device could be permanently damaged. Absolute maximum ratings are stress ratings only and functional device operation is not implied.

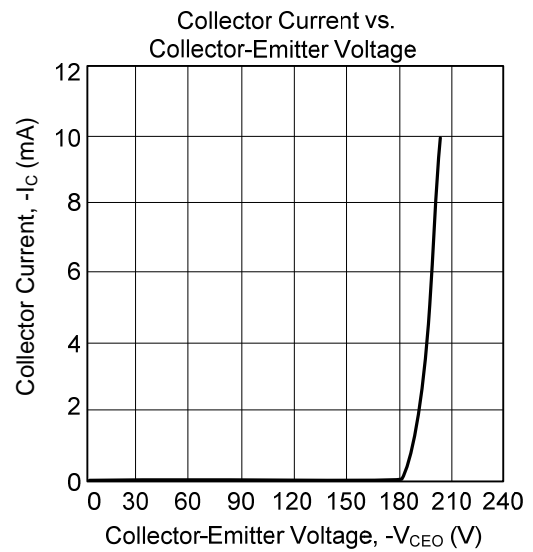
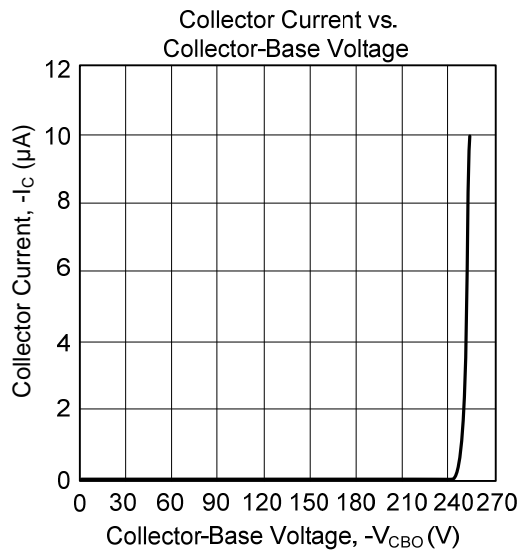
■ ELECTRICAL CHARACTERISTICS ($T_A=25^\circ\text{C}$, unless otherwise specified)

PARAMETER	SYMBOL	TEST CONDITIONS	MIN	TYP	MAX	UNIT
Collector Cut-Off Current	I_{CBO}	$V_{CB}=-150\text{V}, I_E=0$			-1.0	μA
Emitter Cut-Off Current	I_{EBO}	$V_{EB}=-6\text{V}, I_C=0$			-1.0	μA
Collector-Emitter Breakdown Voltage	$V_{(BR)CEO}$	$I_C=-10\text{mA}, I_B=0$	-160			V
DC Current Gain	h_{FE}	$V_{CE}=-5\text{V}, I_C=-200\text{mA}$	60		320	
Collector-Emitter Saturation Voltage	$V_{CE(sat)}$	$I_C=-500\text{mA}, I_B=-50\text{mA}$			-1.5	V
Base-Emitter Voltage	V_{BE}	$V_{CE}=-5\text{V}, I_C=-5\text{mA}$	-0.45		-0.75	V
Transition Frequency	f_T	$V_{CE}=-5\text{V}, I_C=-200\text{mA}$	15	50		MHz
Collector Output Capacitance	C_{ob}	$V_{CB}=-10\text{V}, f=1\text{MHz}, I_E=0$			35	pF

■ CLASSIFICATION OF h_{FE}

RANK	R	O	P
RANGE	60~120	100~200	160~320

■ TYPICAL CHARACTERISTICS



UTC assumes no responsibility for equipment failures that result from using products at values that exceed, even momentarily, rated values (such as maximum ratings, operating condition ranges, or other parameters) listed in products specifications of any and all UTC products described or contained herein. UTC products are not designed for use in life support appliances, devices or systems where malfunction of these products can be reasonably expected to result in personal injury. Reproduction in whole or in part is prohibited without the prior written consent of the copyright owner. The information presented in this document does not form part of any quotation or contract, is believed to be accurate and reliable and may be changed without notice.