



## U74HC1G06

CMOS IC

### SINGLE INVERTER WITH OPEN-DRAIN OUTPUTS

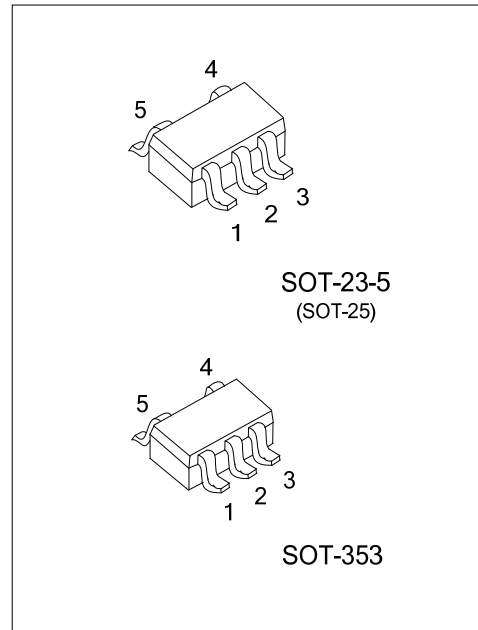
#### DESCRIPTION

The **U74HC1G06** is a single inverting buffer with open-drain outputs and it provides the function  $Y = \overline{A}$  in positive logic.

For digital operation the outputs of this device must have a pull-up resistor to establish a logic HIGH-level.

#### FEATURES

- \* Wide supply voltage range from 2V to 6V
- \* High noise immunity
- \* Low power dissipation;  $I_{CC} = 1\mu A$  (Max.)
- \* Typical  $t_{PD} = 6ns$  at  $V_{CC} = 6V$

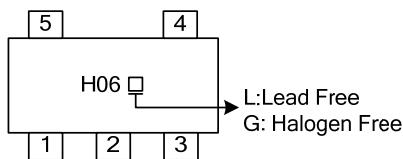


#### ORDERING INFORMATION

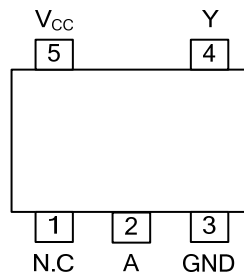
Ordering Number		Package	Packing
Lead Free Plating	Halogen Free		
U74HC1G06L-AE5-R	U74HC1G06G-AE5-R	SOT-23-5	Tape Reel
U74HC1G06L-AL5-R	U74HC1G06G-AL5-R	SOT-353	Tape Reel

<p>U74HC1G06G-AE5-R</p> <p>(1) Packing Type (2) Package Type (3) Green Package</p>	<p>(1) R: Tape Reel (2) AE5: SOT-23-5, AL5: SOT-353 (3) G: Halogen Free and Lead Free, L: Lead Free</p>
--	---

#### MARKING



■ PIN CONFIGURATION

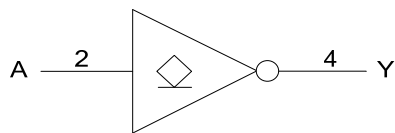


■ FUNCTION TABLE

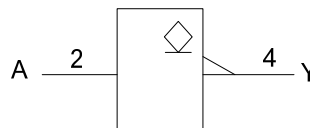
INPUT(A)	OUTPUT(Y)
H	L
L	Z

Note: H: HIGH voltage level; L: LOW voltage level; Z: high impedance state.

■ LOGIC DIAGRAM (positive logic)



Logic symbol



IEC logic symbol

## ■ ABSOLUTE MAXIMUM RATING

PARAMETER	SYMBOL	RATINGS	UNIT
Supply Voltage	$V_{CC}$	-0.5 ~ 7.0	V
Input Voltage	$V_{IN}$	-0.5 ~ $V_{CC} + 0.5$	V
Output Voltage	$V_{OUT}$	-0.5 ~ $V_{CC} + 0.5$	V
$V_{CC}$ or GND Current	$I_{CC}$	±50	mA
Continuous Output Current ( $V_{OUT}=0$ to $V_{CC}$ )	$I_{OUT}$	±25	mA
Input Clamp Current ( $V_{IN}<0$ )	$I_{IK}$	±20	mA
Output Clamp Current ( $V_{OUT}<0$ )	$I_{OK}$	±20	mA
Storage Temperature Range	$T_{STG}$	-65 ~ +150	°C

Note: Absolute maximum ratings are those values beyond which the device could be permanently damaged. Absolute maximum ratings are stress ratings only and functional device operation is not implied.

## ■ RECOMMENDED OPERATING CONDITIONS

PARAMETER	SYMBOL	TEST CONDITIONS	MIN	TYP	MAX	UNIT
Supply Voltage	$V_{CC}$		2		6	V
Input Voltage	$V_{IN}$		0		$V_{CC}$	V
Output Voltage	$V_{OUT}$		0		$V_{CC}$	V
Low-level Output Current	$I_{OL}$	$V_{CC}=2.0V$			20	uA
		$V_{CC}=4.5V$			20	uA
		$V_{CC}=6.0V$			20	uA
		$V_{CC}=4.5V$			4.0	mA
		$V_{CC}=6.0V$			5.2	mA
Operating Temperature	$T_A$		-40		85	°C
Input Transition Rise or Fall Rate	$\Delta t/\Delta v$	$V_{CC}=2.0V$			500	ns/V
		$V_{CC}=4.5V$			112	
		$V_{CC}=6.0V$			67	

## ■ ELECTRICAL CHARACTERISTICS ( $T_A=25^\circ C$ , unless otherwise specified)

PARAMETER	SYMBOL	TEST CONDITIONS	MIN	TYP	MAX	UNIT
High-level Input Voltage	$V_{IH}$	$V_{CC}=2.0V$	1.5			V
		$V_{CC}=4.5V$	3.15			V
		$V_{CC}=6.0V$	4.2			V
Low-level Input Voltage	$V_{IL}$	$V_{CC}=2.0V$			0.5	V
		$V_{CC}=4.5V$			1.35	V
		$V_{CC}=6.0V$			1.8	V
Low-Level Output Voltage	$V_{OL}$	$V_{CC}=2.0V$	$I_{OL}=20\mu A$	0	0.1	V
		$V_{CC}=4.5V$		0	0.1	V
		$V_{CC}=6.0V$		0	0.1	V
		$V_{CC}=4.5V$	$I_{OL}=4.0mA$	0.17	0.26	V
		$V_{CC}=6.0V$	$I_{OL}=5.2mA$	0.18	0.26	V
Input Leakage Current	$I_{I(LEAK)}$	$V_{CC}=0\sim 6V, V_{IN}=V_{CC}$ or GND			±0.1	μA
Output Leakage Current	$I_{OZ}$	$V_{CC}=6.0V, V_{IN}=V_{IL}$ or $V_{IH}, V_{OUT}=V_{CC}$ or GND			±0.5	μA
Quiescent Supply Current	$I_{CC}$	$V_{CC}=6.0V, V_{IN}=V_{CC}$ or GND, $I_{OUT}=0$			1.0	μA
Input Capacitance	$C_I$	$V_{CC}=5.0V$		5		pF
Output Capacitance	$C_{OUT}$	$V_{CC}=5.0V$		3		pF

■ SWITCHING CHARACTERISTICS (T<sub>A</sub>=25°C, unless otherwise specified)

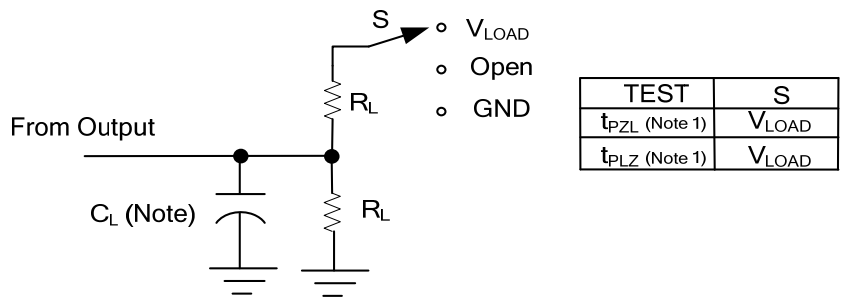
See Fig. 1 and Fig. 2 for test circuit and waveforms.

PARAMETER	SYMBOL	TEST CONDITIONS	MIN	TYP	MAX	UNIT
Output transition time	t <sub>THL</sub>	V <sub>CC</sub> =2.0V		30	75	ns
		V <sub>CC</sub> =4.5V		8	15	
		V <sub>CC</sub> =6.0V		7	13	
Propagation delay from input (A) to output(Y)	t <sub>PLZ</sub>	V <sub>CC</sub> =2.0V, C <sub>L</sub> =50pF, R <sub>L</sub> =1kΩ		10	90	ns
		V <sub>CC</sub> =4.5V		7	18	
		V <sub>CC</sub> =6.0V		6	15	
Propagation delay from input (A) to output(Y)	t <sub>PZL</sub>	V <sub>CC</sub> =2.0V, C <sub>L</sub> =50pF, R <sub>L</sub> =1kΩ		17	90	ns
		V <sub>CC</sub> =4.5V		7	18	
		V <sub>CC</sub> =6.0V		5	15	

■ OPERATING CHARACTERISTICS (T<sub>A</sub>=25°C, unless otherwise specified)

PARAMETER	SYMBOL	TEST CONDITIONS	MIN	TYP	MAX	UNIT
Power Dissipation Capacitance	C <sub>PD</sub>	V <sub>CC</sub> =5.0V, C <sub>L</sub> =50pF, f =1MHz		4.0		pF

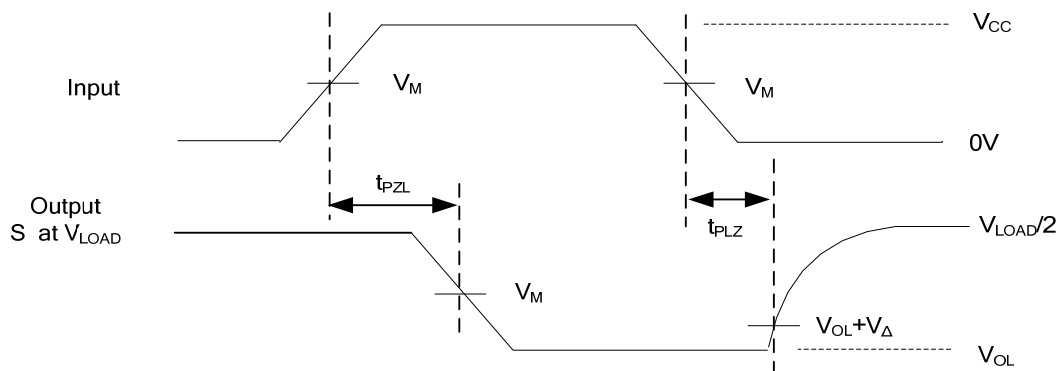
## ■ TEST CIRCUIT AND WAVEFORMS



Note: 1. Since this device has open drain outputs, the  $t_{pZL}$  and  $t_{PLZ}$  is the same as  $t_{PLH}$  and  $t_{PHL}$ .

**Fig. 1 LOAD CIRCUITRY FOR SWITCHING TIMES**

$V_{CC}$	$V_{IN}$	$t_r / t_f$	$V_M$	$V_{LOAD}$	$C_L$	$R_L$	$V_{\Delta}$
$V_{CC}=2.0V$	$V_{CC}$	6ns	$V_{CC}/2$	$2 \times V_{CC}$	50pF	1k $\Omega$	0.3V
$V_{CC}=4.5V$	$V_{CC}$	6ns	$V_{CC}/2$	$2 \times V_{CC}$	50pF	1k $\Omega$	0.3V
$V_{CC}=6.0V$	$V_{CC}$	6ns	$V_{CC}/2$	$2 \times V_{CC}$	50pF	1k $\Omega$	0.3V



**Fig. 2 PROPAGATION DELAY FROM INPUT(A) TO OUTPUT(Y) AND OUTPUT TRANSITION TIME**

Note: 1.  $C_L$  includes probe and jig capacitance.

2. All input pulses are supplied by generators having the following characteristics: PRR  $\leq$  10MHz,  $Z_o = 50\Omega$ .

UTC assumes no responsibility for equipment failures that result from using products at values that exceed, even momentarily, rated values (such as maximum ratings, operating condition ranges, or other parameters) listed in products specifications of any and all UTC products described or contained herein. UTC products are not designed for use in life support appliances, devices or systems where malfunction of these products can be reasonably expected to result in personal injury. Reproduction in whole or in part is prohibited without the prior written consent of the copyright owner. UTC reserves the right to make changes to information published in this document, including without limitation specifications and product descriptions, at any time and without notice. This document supersedes and replaces all information supplied prior to the publication hereof.