



40N15

Power MOSFET

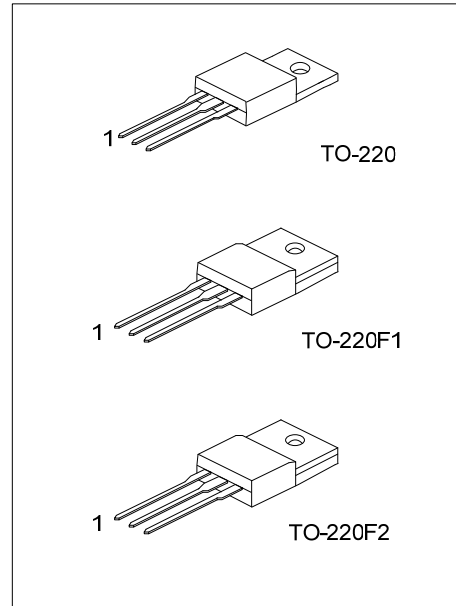
40A, 150V N-CHANNEL POWER MOSFET

DESCRIPTION

The UTC **40N15** is a N-channel enhancement MOSFET, it uses UTC's advanced technology to provide the customers with perfect $R_{DS(ON)}$, high switching speed, high current capacity and low gate charge.

FEATURES

- * $R_{DS(ON)} < 50m\Omega @ V_{GS}=10V, I_D=20A$
- * High Switching Speed
- * High Current Capacity



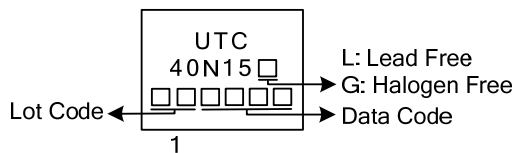
ORDERING INFORMATION

Ordering Number		Package	Pin Assignment			Packing
Lead Free	Halogen Free		1	2	3	
40N15L-TA3-T	40N15G-TA3-T	TO-220	G	D	S	Tube
40N15L-TF1-T	40N15G-TF1-T	TO-220F1	G	D	S	Tube
40N15L-TF2-T	40N15G-TF2-T	TO-220F2	G	D	S	Tube

Note: Pin Assignment: G: Gate D: Drain S: Source

<p>40N15G-TA3-T</p> <p>(1)Packing Type</p> <p>(2)Package Type</p> <p>(3)Green Package</p>	<p>(1) T: Tube</p> <p>(2) TA3: TO-220, TF1: TO-220F1, TF2: TO-220F2</p> <p>(3) G: Halogen Free and Lead Free, L: Lead Free</p>
---	--

MARKING



■ ABSOLUTE MAXIMUM RATINGS

PARAMETER		SYMBOL	RATINGS	UNIT
Drain-Source Voltage		V_{DSS}	150	V
Gate-Source Voltage		V_{GSS}	± 25	V
Drain Current	Continuous	I_D	40	A
	Pulsed	I_{DM}	180	A
Avalanche Current		I_{AR}	45.6	A
Avalanche Energy	Single Pulsed	E_{AS}	650	mJ
	Repetitive	E_{AR}	21	mJ
Peak Diode Recovery dv/dt		dv/dt	7	V/ns
Power Dissipation	TO-220	P_D	166	W
	TO-220F1/TO-220F2		40	W
Junction Temperature		T_J	-50 ~ +150	$^{\circ}\text{C}$
Storage Temperature Range		T_{STG}	-50 ~ +150	$^{\circ}\text{C}$

Note: Absolute maximum ratings are those values beyond which the device could be permanently damaged. Absolute maximum ratings are stress ratings only and functional device operation is not implied.

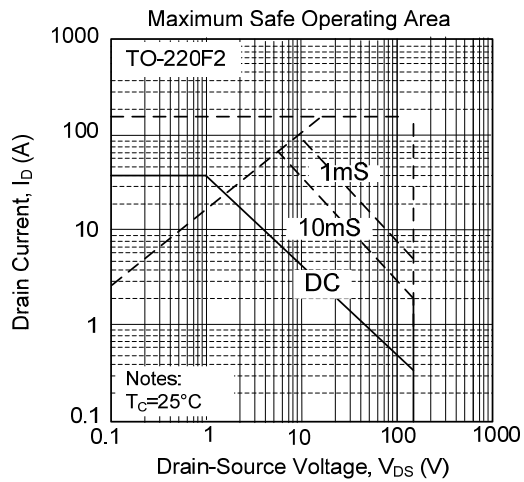
■ THERMAL CHARACTERISTICS

PARAMETER		SYMBOL	RATINGS	UNIT
Junction to Ambient		θ_{JA}	62.5	$^{\circ}\text{C/W}$
Junction to Case	TO-220	θ_{JC}	0.9	$^{\circ}\text{C/W}$
	TO-220F1/TO-220F2		3.125	$^{\circ}\text{C/W}$

■ ELECTRICAL CHARACTERISTICS

PARAMETER	SYMBOL	TEST CONDITIONS	MIN	TYP	MAX	UNIT
OFF CHARACTERISTICS						
Drain-Source Breakdown Voltage	BV_{DSS}	$V_{GS}=0V, I_D=250\mu A$	150			V
Drain-Source Leakage Current	I_{DSS}	$V_{GS}=0V, V_{DS}=150V$			900	nA
Gate-Source Leakage Current	Forward	I_{GSS}			+100	nA
	Reverse				-100	nA
ON CHARACTERISTICS						
Gate Threshold Voltage	$V_{GS(TH)}$	$V_{DS}=V_{GS}, I_D=250\mu A$	2.2		3.8	V
Static Drain-Source On-State Resistance	$R_{DS(ON)}$	$V_{GS}=10V, I_D=20A$			50	m Ω
DYNAMIC PARAMETERS						
Input Capacitance	C_{ISS}	$V_{DS}=25V, V_{GS}=0V, f=1.0\text{MHz}$		2500		pF
Output Capacitance	C_{OSS}			520		pF
Reverse Transfer Capacitance	C_{RSS}			100		pF
SWITCHING PARAMETERS						
Total Gate Charge	Q_G	$V_{GS}=10V, V_{DD}=50V, I_D=1.3A, I_G=100\mu A$		85		nC
Gate to Source Charge	Q_{GS}			15		nC
Gate to Drain Charge	Q_{GD}			41		nC
Turn-ON Delay Time	$t_{D(ON)}$	$V_{GS}=0\sim 10V, V_{DD}=30V, I_D=0.5A, R_G=25\Omega$		35		ns
Rise Time	t_R			320		ns
Turn-OFF Delay Time	$t_{D(OFF)}$			210		ns
Fall-Time	t_F			200		ns
SOURCE- DRAIN DIODE RATINGS AND CHARACTERISTICS						
Maximum Body-Diode Continuous Current	I_S				40	A
Maximum Body-Diode Pulsed Current	I_{SM}				160	A
Drain-Source Diode Forward Voltage	V_{SD}	$I_S=40A, V_{GS}=0V$			1.48	V
Body Diode Reverse Recovery Time	t_{RR}	$V_{GS}=0V, I_S=30A$		150		ns
Body Diode Reverse Recovery Charge	Q_{RR}	$dI_F/dt=100A/\mu s$		0.9		μC

■ TYPICAL CHARACTERISTICS



UTC assumes no responsibility for equipment failures that result from using products at values that exceed, even momentarily, rated values (such as maximum ratings, operating condition ranges, or other parameters) listed in products specifications of any and all UTC products described or contained herein. UTC products are not designed for use in life support appliances, devices or systems where malfunction of these products can be reasonably expected to result in personal injury. Reproduction in whole or in part is prohibited without the prior written consent of the copyright owner. The information presented in this document does not form part of any quotation or contract, is believed to be accurate and reliable and may be changed without notice.