



## SRV05-4

DIODE

### LOW CAPACITANCE TVS DIODE ARRAY

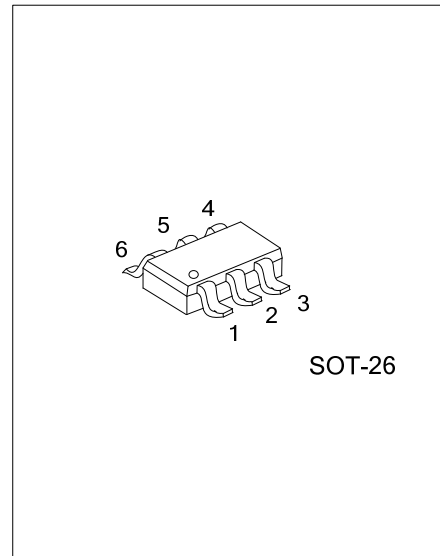
#### DESCRIPTION

The UTC **SRV05-4** is a low capacitance TVS diode array, it uses UTC's advanced technology to provide customers with low leakage current and low clamping voltage, etc.

The UTC **SRV05-4** is suitable for high-speed data lines such as firewire , DVI and Ethernet.

#### FEATURES

- \* Low clamping voltage
- \* Low leakage current
- \* 4 I/O lines protection

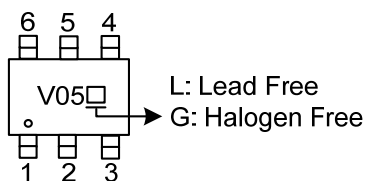


#### ORDERING INFORMATION

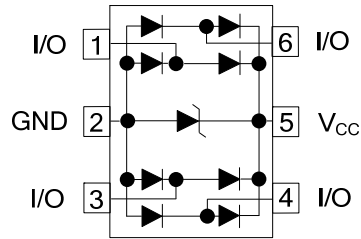
Ordering Number		Package	Packing
Lead Free	Halogen Free		
SRV05-4L-AG6-R	SRV05-4G-AG6-R	SOT-26	Tape Reel

<p>SRV05-4G-AG6-R</p> <ul style="list-style-type: none"> <li>(1)Packing Type</li> <li>(2)Package Type</li> <li>(3)Green Package</li> </ul>	<ul style="list-style-type: none"> <li>(1) R: Tape Reel</li> <li>(2) AG6: SOT-26</li> <li>(3) G: Halogen Free and Lead Free, L: Lead Free</li> </ul>
--	--

#### MARKING



## ■ PIN CONFIGURATION



## ■ PIN DESCRIPTION

PIN NO.	PIN NAME	DESCRIPTION
1	I/O	Terminal of ESD 1
2	GND	Ground
3	I/O	Terminal of ESD 2
4	I/O	Terminal of ESD 3
5	V <sub>CC</sub>	Supply Voltage (low clamping voltage to ground)
6	I/O	Terminal of ESD 4

■ ABSOLUTE MAXIMUM RATINGS

PARAMETER	SYMBOL	RATINGS	UNIT
ESD Protection – Contact Discharge, Per IEC61000-4-2 (I/O to GND)	$V_{ESD\_Contact}$	±30	kV
ESD Protection – Air Discharge, Per IEC61000-4-2 (I/O to GND)	$V_{ESD\_Air}$	±30	kV
Peak Pulse Power (8/20µs Waveform)	$P_{PP}$	350	W
Peak Pulse Current (8/20µs Waveform)	$I_{PPM}$	12	A
Operating Junction Temperature	$T_J$	-55 ~ +150	°C
Storage Temperature	$T_{STG}$	-55 ~ +150	°C

Note: Absolute maximum ratings are those values beyond which the device could be permanently damaged.

Absolute maximum ratings are stress ratings only and functional device operation is not implied.

■ ELECTRICAL CHARACTERISTICS

PARAMETER	SYMBOL	TEST CONDITIONS	MIN	TYP	MAX	UNIT
Reverse Stand-Off Voltage	$V_{WRM}$				5	V
Reverse Breakdown Voltage	$V_{BR}$	$I_{BR}=1mA$ , PIN 5 to 2	6			V
Reverse Leakage Current	$I_R$	$V_R=5V$ , PIN 5 to 2		1.2	5	µA
Clamping Voltage (8/20µs)	$V_C$	$I_{PP}=1A$ , ANY I/O pin to pin 2			12	V
		$I_{PP}=5A$ , ANY I/O pin to pin 2			17	V
Off State Junction Capacitance	$C_J$	0Vdc, f=1.0MHZ, between I/O lines and GND		1.1	1.2	pF
		0Vdc, f=1.0MHZ, between I/O lines		0.55	0.60	pF

UTC assumes no responsibility for equipment failures that result from using products at values that exceed, even momentarily, rated values (such as maximum ratings, operating condition ranges, or other parameters) listed in products specifications of any and all UTC products described or contained herein. UTC products are not designed for use in life support appliances, devices or systems where malfunction of these products can be reasonably expected to result in personal injury. Reproduction in whole or in part is prohibited without the prior written consent of the copyright owner. UTC reserves the right to make changes to information published in this document, including without limitation specifications and product descriptions, at any time and without notice. This document supersedes and replaces all information supplied prior to the publication hereof.