



# 10N65K

*Power MOSFET*

## 10A, 650V N-CHANNEL POWER MOSFET

■ DESCRIPTION

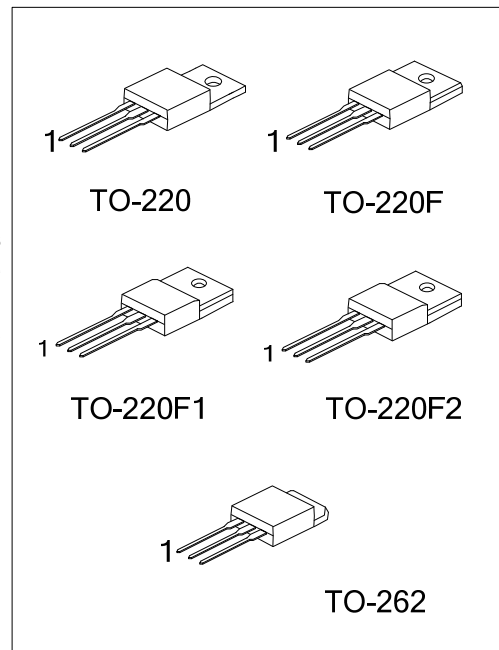
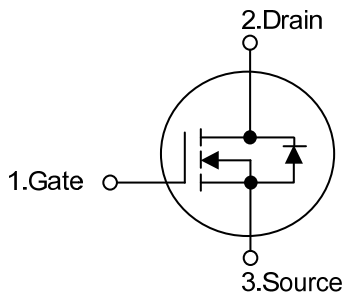
The UTC **10N65K** is an N-channel Power MOSFET using UTC's advanced technology to provide customers a minimum on-state resistance and superior switching performance, etc.

The UTC **10N65K** is generally applied in high efficient DC to DC converters, PWM motor controls and bridge circuits, etc.

■ FEATURES

- \*  $R_{DS(ON)} < 1.2\Omega @ V_{GS} = 10V$
- \* High Switching Speed
- \* Improved dv/dt capability

■ SYMBOL



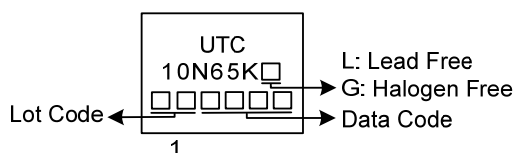
■ ORDERING INFORMATION

Ordering Number		Package	Pin Assignment			Packing
Lead Free	Halogen Free		1	2	3	
10N65KL-TA3-T	10N65KG-TA3-T	TO-220	G	D	S	Tube
10N65KL-TF3-T	10N65KG-TF3-T	TO-220F	G	D	S	Tube
10N65KL-TF1-T	10N65KG-TF1-T	TO-220F1	G	D	S	Tube
10N65KL-TF2-T	10N65KG-TF2-T	TO-220F2	G	D	S	Tube
10N65KL-T2Q-T	10N65KG-T2Q-T	TO-262	G	D	S	Tube

Note: Pin Assignment: G: Gate D: Drain S: Source

<p>10N65KL-TA3-T</p> <p>(1) Packing Type (2) Package Type (3) Green Package</p>	<p>(1) T: Tube (2) TA3: TO-220, TF3: TO-220F, TF1: TO-220F1, TF2: TO-220F2, T2Q: TO-262 (3) L: Lead Free, G: Halogen Free and Lead Free</p>
---	---

■ MARKING



■ ABSOLUTE MAXIMUM RATINGS ( $T_C = 25^\circ\text{C}$  unless otherwise specified)

PARAMETER		SYMBOL	RATINGS	UNIT
Drain-Source Voltage		$V_{DSS}$	650	V
Gate-Source Voltage		$V_{GSS}$	$\pm 30$	V
Avalanche Current (Note 2)		$I_{AR}$	10	A
Drain Current	Continuous	$I_D$	10	A
	Pulsed (Note 2)	$I_{DM}$	38	A
Avalanche Energy	Single Pulsed (Note 3)	$E_{AS}$	300	mJ
Peak Diode Recovery $dv/dt$ (Note 4)		$dv/dt$	4.5	V/ns
Power Dissipation	TO-220/TO-262	$P_D$	156	W
	TO-220F/TO-220F1		50	W
	TO-220F2		52	W
Junction Temperature		$T_J$	+150	$^\circ\text{C}$
Operating Temperature		$T_{OPR}$	-55 ~ +150	$^\circ\text{C}$
Storage Temperature		$T_{STG}$	-55 ~ +150	$^\circ\text{C}$

Notes: 1. Absolute maximum ratings are those values beyond which the device could be permanently damaged.

Absolute maximum ratings are stress ratings only and functional device operation is not implied.

2. Repetitive Rating: Pulse width limited by maximum junction temperature
3.  $L=6\text{mH}$ ,  $I_{AS}=10\text{A}$ ,  $V_{DD}=50\text{V}$ ,  $R_G=25\ \Omega$ , Starting  $T_J = 25^\circ\text{C}$
4.  $I_{SD} \leq 9.5\text{A}$ ,  $di/dt \leq 200\text{A}/\mu\text{s}$ ,  $V_{DD} \leq BV_{DSS}$ , Starting  $T_J = 25^\circ\text{C}$

■ THERMAL DATA

PARAMETER		SYMBOL	RATING	UNIT
Junction to Ambient		$\theta_{JA}$	65.2	$^\circ\text{C}/\text{W}$
Junction to Case	TO-220/TO-262	$\theta_{JC}$	0.8	$^\circ\text{C}/\text{W}$
	TO-220F/TO-220F1		2.5	$^\circ\text{C}/\text{W}$
	TO-220F2		2.4	$^\circ\text{C}/\text{W}$

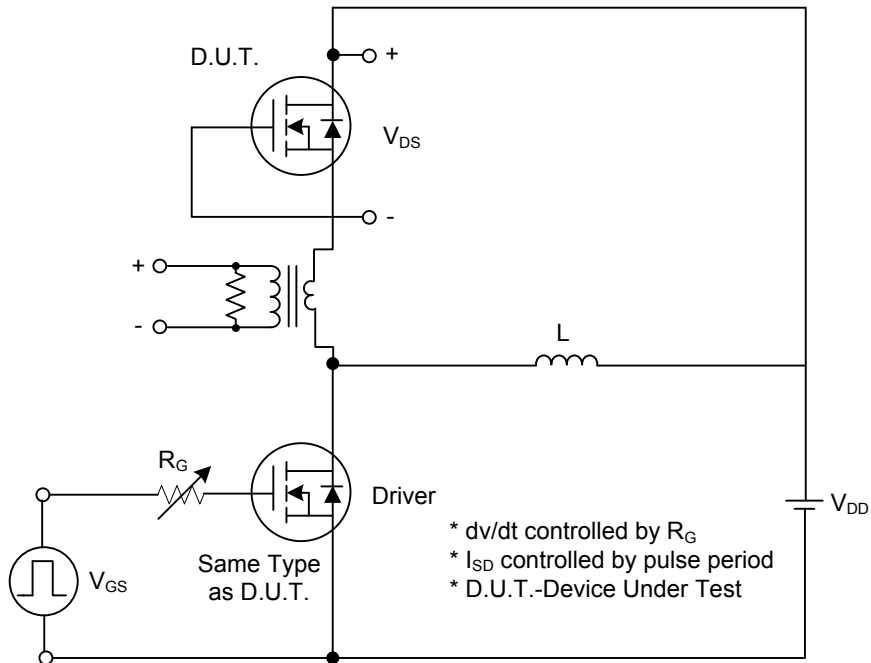
■ ELECTRICAL CHARACTERISTICS(  $T_C=25^{\circ}\text{C}$ , unless otherwise specified)

PARAMETER	SYMBOL	TEST CONDITIONS	MIN	TYP	MAX	UNIT
<b>OFF CHARACTERISTICS</b>						
Drain-Source Breakdown Voltage	$BV_{DSS}$	$V_{GS} = 0V, I_D = 250\mu A$	650			V
Drain-Source Leakage Current	$I_{DSS}$	$V_{DS} = 650V, V_{GS} = 0V$			1	$\mu A$
Gate-Source Leakage Current	Forward	$V_{GS} = 30V, V_{DS} = 0V$			100	nA
	Reverse		$V_{GS} = -30V, V_{DS} = 0V$			-100
Breakdown Voltage Temperature Coefficient	$\Delta BV_{DSS}/\Delta T_J$	$I_D=250\mu A$ , Referenced to $25^{\circ}\text{C}$		0.7		$V/^{\circ}\text{C}$
<b>ON CHARACTERISTICS</b>						
Gate Threshold Voltage	$V_{GS(TH)}$	$V_{DS} = V_{GS}, I_D = 250\mu A$	2.5		4.5	V
Static Drain-Source On-State Resistance	$R_{DS(ON)}$	$V_{GS} = 10V, I_D = 5A$	0.5	0.89	1.2	$\Omega$
<b>DYNAMIC CHARACTERISTICS</b>						
Input Capacitance	$C_{ISS}$	$V_{DS}=25V, V_{GS}=0V, f=1.0\text{ MHz}$		1200	1700	pF
Output Capacitance	$C_{OSS}$			110	160	pF
Reverse Transfer Capacitance	$C_{RSS}$			10.5	16	pF
<b>SWITCHING CHARACTERISTICS</b>						
Turn-On Delay Time	$t_{D(ON)}$	$V_{DD}=30V, I_D=0.5A, R_G=25\Omega$ (Note 1, 2)		75		ns
Turn-On Rise Time	$t_R$			60		ns
Turn-Off Delay Time	$t_{D(OFF)}$			180		ns
Turn-Off Fall Time	$t_F$			65		ns
Total Gate Charge	$Q_G$	$V_{DS}=50V, I_D=1.3A, V_{GS}=10V$ (Note 1, 2)		31.3	42	nC
Gate-Source Charge	$Q_{GS}$			9.3		nC
Gate-Drain Charge	$Q_{GD}$			6.8		nC
<b>DRAIN-SOURCE DIODE CHARACTERISTICS AND MAXIMUM RATINGS</b>						
Drain-Source Diode Forward Voltage	$V_{SD}$	$V_{GS} = 0V, I_S = 10A$			1.4	V
Maximum Continuous Drain-Source Diode Forward Current	$I_S$				10	A
Maximum Pulsed Drain-Source Diode Forward Current	$I_{SM}$				38	A

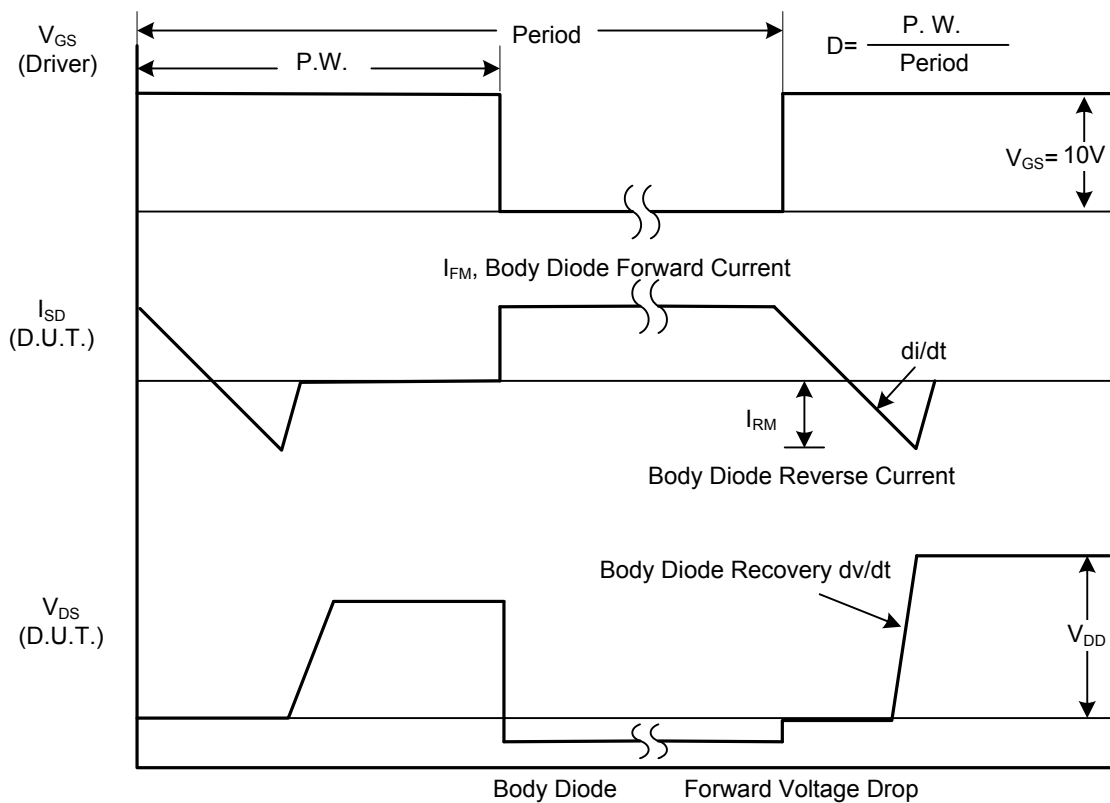
Note: 1. Pulse Test: Pulse width  $\leq 300\mu s$ , Duty cycle  $\leq 2\%$

2. Essentially independent of operating temperature.

## TEST CIRCUITS AND WAVEFORMS

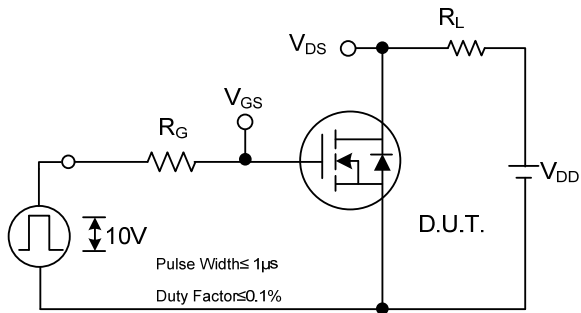


**Peak Diode Recovery dv/dt Test Circuit**

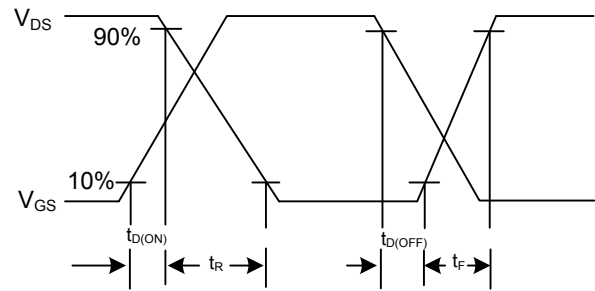


**Peak Diode Recovery dv/dt Waveforms**

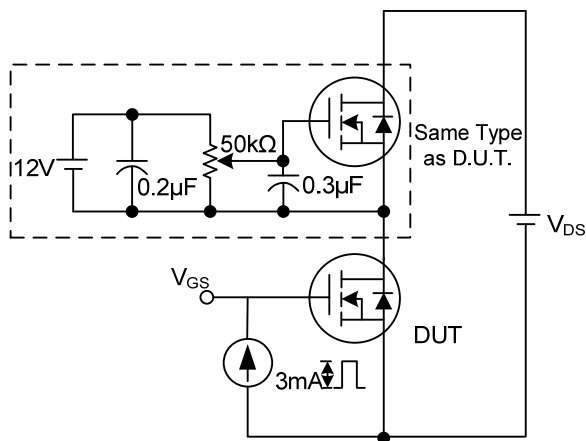
### TEST CIRCUITS AND WAVEFORMS (Cont.)



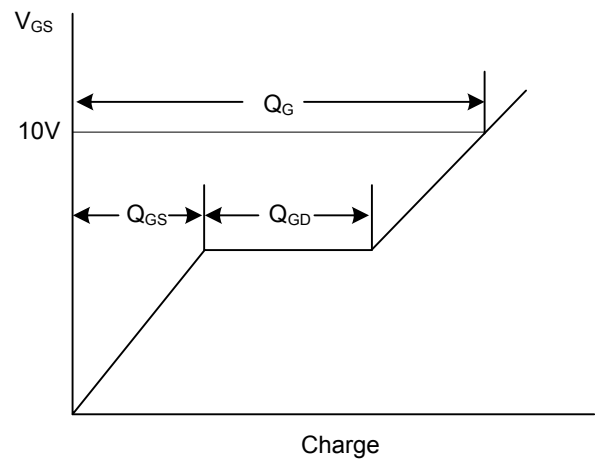
**Switching Test Circuit**



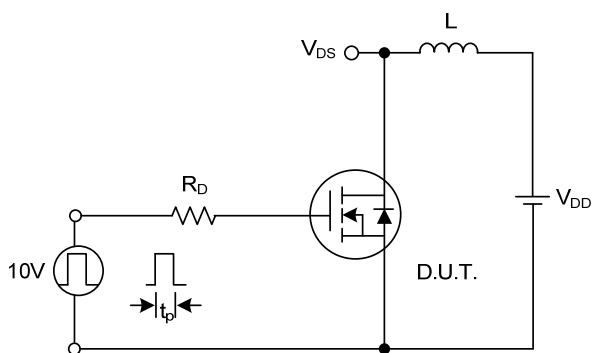
**Switching Waveforms**



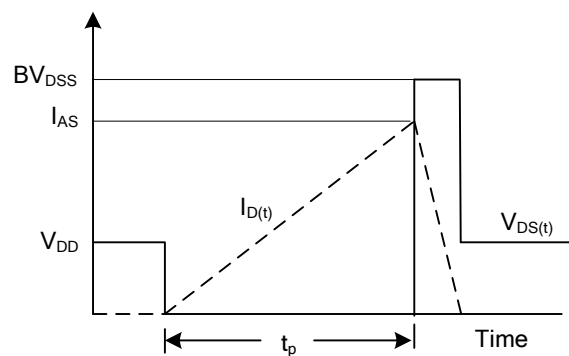
**Gate Charge Test Circuit**



**Gate Charge Waveform**

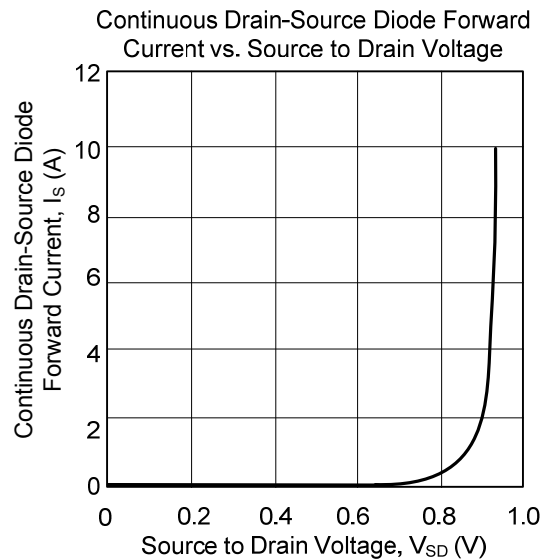
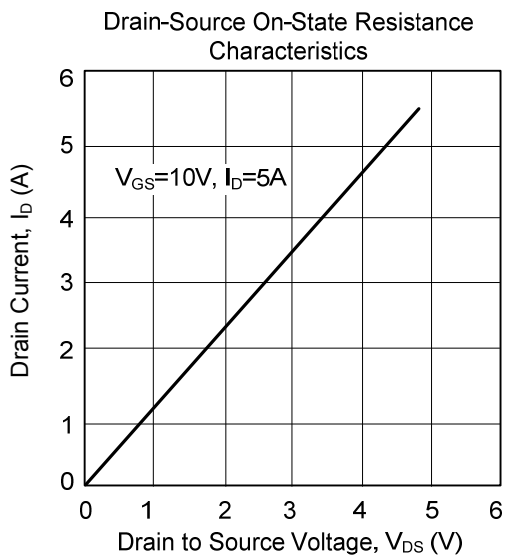
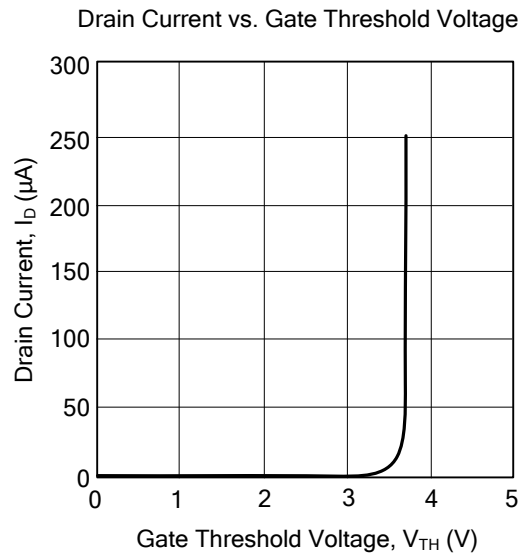
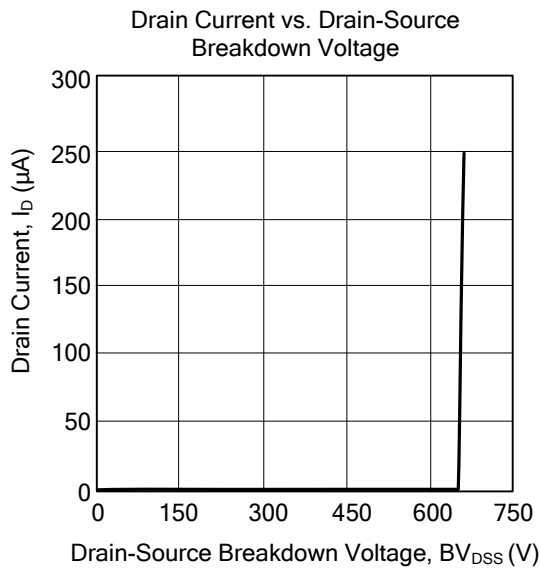


**Unclamped Inductive Switching Test Circuit**



**Unclamped Inductive Switching Waveforms**

### TYPICAL CHARACTERISTICS



UTC assumes no responsibility for equipment failures that result from using products at values that exceed, even momentarily, rated values (such as maximum ratings, operating condition ranges, or other parameters) listed in products specifications of any and all UTC products described or contained herein. UTC products are not designed for use in life support appliances, devices or systems where malfunction of these products can be reasonably expected to result in personal injury. Reproduction in whole or in part is prohibited without the prior written consent of the copyright owner. The information presented in this document does not form part of any quotation or contract, is believed to be accurate and reliable and may be changed without notice.