



UTT36N05

Preliminary

Power MOSFET

**36A, 50V N-CHANNEL
ENHANCEMENT MODE POWER
MOSFET TRANSISTOR**

■ DESCRIPTION

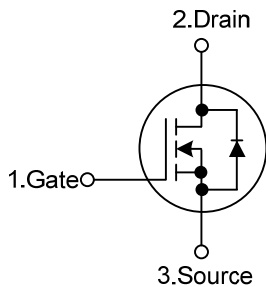
The UTC **UTT36N05** is an N-channel enhancement power MOSFET using UTC's advanced technology to provide the customers with perfect $R_{DS(ON)}$, high switching speed, high current capacity and low gate charge.

The UTC **UTT36N05** is suitable for motor control, AC-DC or DC-DC converters and audio amplifiers, etc.

■ FEATURES

- * $R_{DS(ON)} < 40m\Omega @ V_{GS}=5V$
- * High Switching Speed
- * High Current Capacity

■ SYMBOL



■ ORDERING INFORMATION

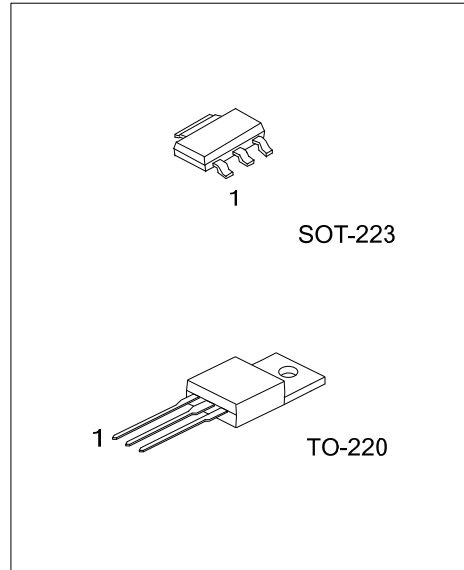
Ordering Number		Package	Pin Assignment			Packing
Lead Free	Halogen Free		1	2	3	
-	UTT36N05G-AA3-T	SOT-223	G	D	S	Tube
UTT36N05L-TA3-T	UTT36N05G-TA3-T	TO-220	G	D	S	Tube

Note: Pin Assignment: G: Gate D: Drain S: Source

<p>UTT36N05G-AA3-R</p> <p>(1)Packing Type</p> <p>(2)Package Type</p> <p>(3)Green Package</p>	<p>(1) T: Tube, R: Tape Reel</p> <p>(2) AA3: SOT-223, TA3: TO-220</p> <p>(3) L: Lead Free, G: Halogen Free and Lead Free</p>
--	--

■ MARKING

SOT-223	TO-220



■ ABSOLUTE MAXIMUM RATINGS ($T_C=25^\circ\text{C}$, unless otherwise specified)

PARAMETER		SYMBOL	RATINGS	UNIT	
Drain-Source Voltage ($V_{GS}=0$)		V_{DSS}	50	V	
Drain-Gate Voltage ($R_{GS}=20\text{k}\Omega$)		V_{DGR}	50	V	
Gate-Source Voltage		V_{GSS}	± 15	V	
Drain Current	Continuous	I_D	$T_C=25^\circ\text{C}$	36	A
			$T_C=100^\circ\text{C}$	25	A
	Pulsed (Note 2)		I_{DM}	144	A
Avalanche Energy		Single Pulsed	E_{AS}	240	mJ
		Repetitive	E_{AR}	60	mJ
Power Dissipation ($T_C=25^\circ\text{C}$)		P_D	SOT-223	11	W
			TO-220	100	W
Junction Temperature		T_J	150	$^\circ\text{C}$	
Storage Temperature		T_{STG}	-65~175	$^\circ\text{C}$	

Notes: 1. Absolute maximum ratings are those values beyond which the device could be permanently damaged.

Absolute maximum ratings are stress ratings only and functional device operation is not implied.

2. Pulse width limited by safe operating area.

■ THERMAL DATA

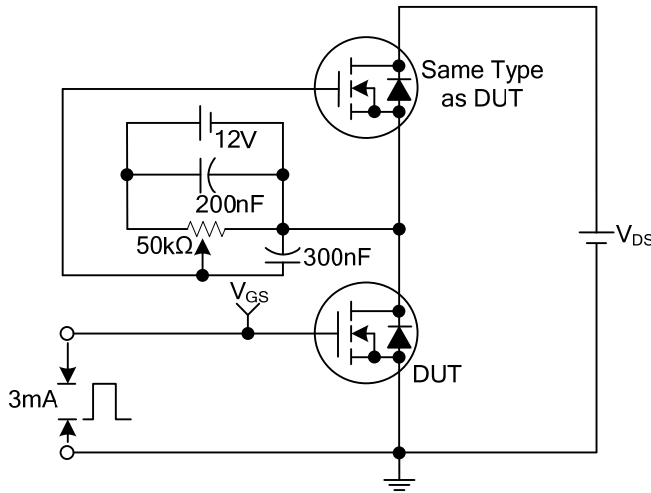
PARAMETER		SYMBOL	RATINGS	UNIT
Junction to Ambient	SOT-223	θ_{JA}	150	$^\circ\text{C/W}$
	TO-220		62.5	
Junction to Case	SOT-223	θ_{JC}	11	$^\circ\text{C/W}$
	TO-220		1.25	

■ ELECTRICAL CHARACTERISTICS (T_c=25°C, unless otherwise specified)

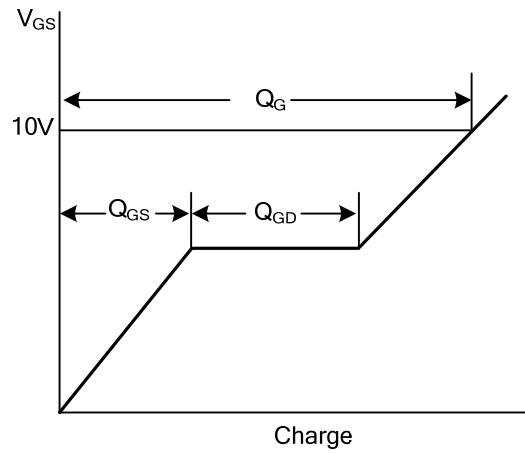
PARAMETER	SYMBOL	TEST CONDITIONS	MIN	TYP	MAX	UNIT
OFF CHARACTERISTICS						
Drain-Source Breakdown Voltage	BV _{DSS}	I _D =250μA, V _{GS} =0V	50			V
Drain-Source Leakage Current	I _{DSS}	V _{DS} =Max Rating, V _{GS} =0V			1	μA
		V _{DS} = Max ×0.8, T _c =125°C, V _{GS} =0V			10	
Gate- Source Leakage Current	Forward	I _{GSS}				nA
	Reverse					
						-100
ON CHARACTERISTICS (Note 1)						
Gate Threshold Voltage	V _{GS(TH)}	V _{DS} =V _{GS} , I _D =250μA	1	1.6	2.5	V
Static Drain-Source On-State Resistance	R _{DS(ON)}	V _{GS} =5V, I _D =18A		0.033	0.04	Ω
On State Drain Current	I _{D(ON)}	V _{DS} >I _{D(ON)} ×R _{DS(ON)} max, V _{GS} =10V	36			A
DYNAMIC PARAMETERS						
Input Capacitance	C _{ISS}	V _{GS} =0V, V _{DS} =25V, f=1.0MHz		1000	1800	pF
Output Capacitance	C _{OSS}			133	600	pF
Reverse Transfer Capacitance	C _{RSS}			90	200	pF
SWITCHING PARAMETERS						
Turn-ON Delay Time	t _{D(ON)}	V _{DD} =30V, I _D =1.0A, R _G =50Ω		40	60	ns
Rise Time	t _R			60	100	ns
OFF-Voltage Rise Time	t _{R(VOFF)}			350	420	ns
Fall-Time	t _F			125	160	ns
Total Gate Charge	Q _G	V _{GS} =5V, V _{DS} =40V, I _D =36A		76		nC
Gate to Source Charge	Q _{GS}			11		nC
Gate to Drain Charge	Q _{GD}			11		nC
SOURCE- DRAIN DIODE RATINGS AND CHARACTERISTICS						
Maximum Body-Diode Continuous Current	I _S				36	A
Maximum Body-Diode Pulsed Current	I _{SM}	(Note 2)			144	A
Drain-Source Diode Forward Voltage	V _{SD}	I _{SD} =36A, V _{GS} =0V (Note 1)			1.6	V

Notes: 1. Pulsed: Pulse duration = 300 ms, duty cycle 1.5%
 2. Pulse width limited by safe operating area.

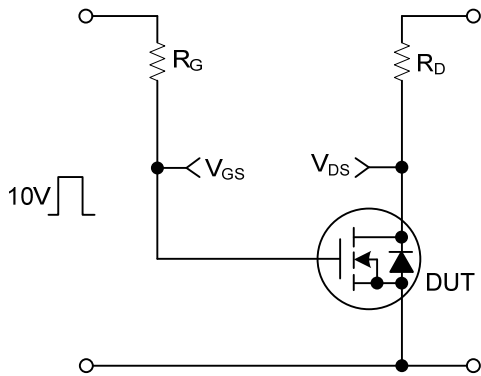
■ TEST CIRCUITS AND WAVEFORMS



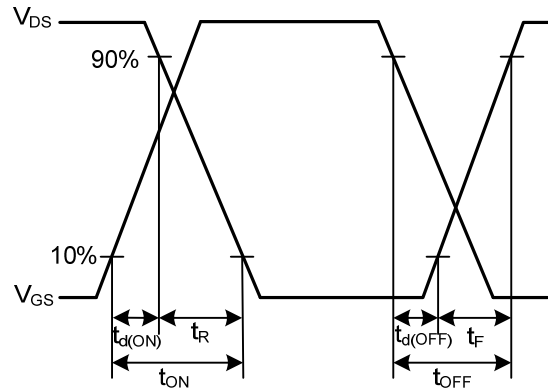
Gate Charge Test Circuit



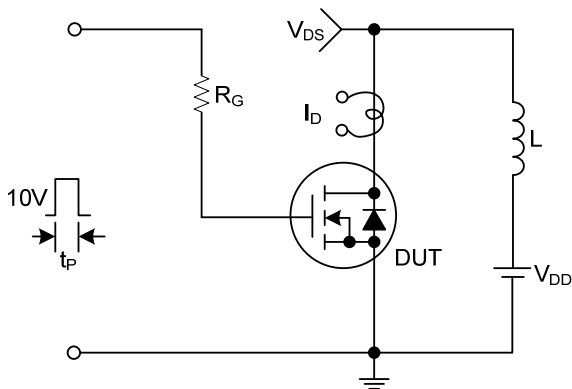
Gate Charge Waveforms



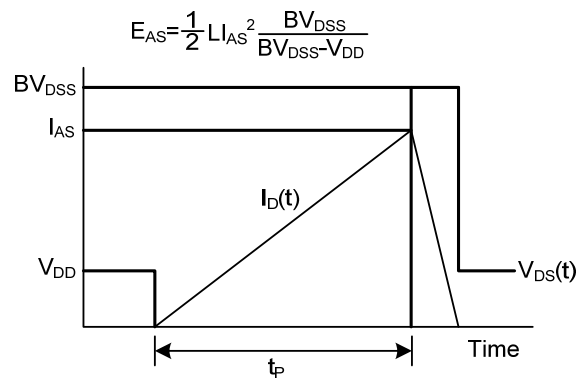
Resistive Switching Test Circuit



Resistive Switching Waveforms



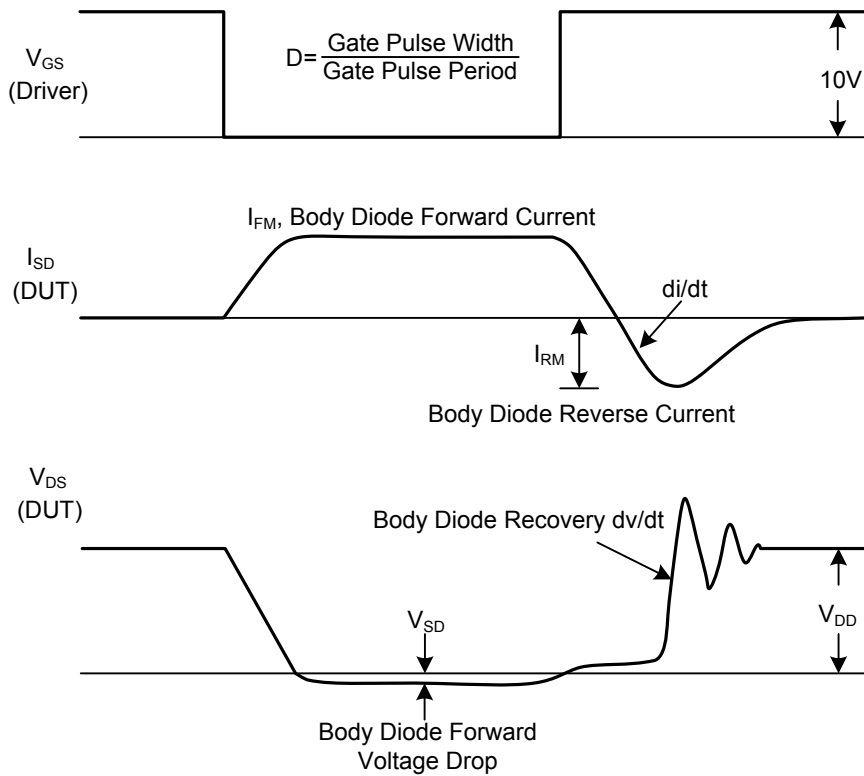
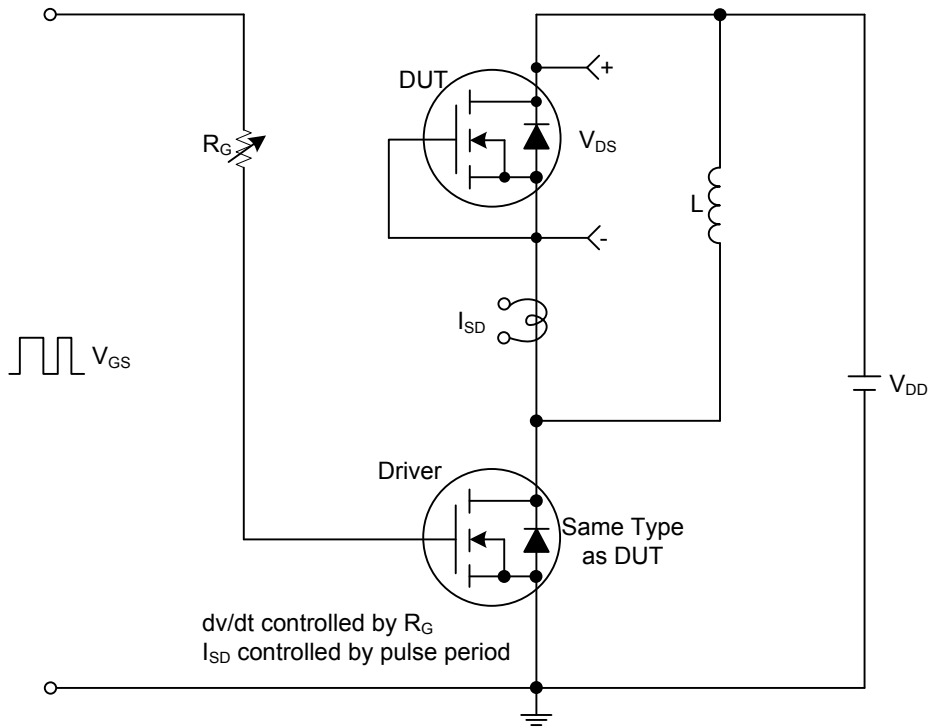
Unclamped Inductive Switching Test Circuit



Unclamped Inductive Switching Waveforms

$$E_{AS} = \frac{1}{2} L I_{AS}^2 \frac{BV_{DSS}}{BV_{DSS} - V_{DD}}$$

■ TEST CIRCUITS AND WAVEFORMS(Cont.)



Peak Diode Recovery dv/dt Test Circuit and Waveforms

UTC assumes no responsibility for equipment failures that result from using products at values that exceed, even momentarily, rated values (such as maximum ratings, operating condition ranges, or other parameters) listed in products specifications of any and all UTC products described or contained herein. UTC products are not designed for use in life support appliances, devices or systems where malfunction of these products can be reasonably expected to result in personal injury. Reproduction in whole or in part is prohibited without the prior written consent of the copyright owner. The information presented in this document does not form part of any quotation or contract, is believed to be accurate and reliable and may be changed without notice.