



MBR0560

Preliminary

DIODE

0.5 AMP SCHOTTKY RECTIFIER

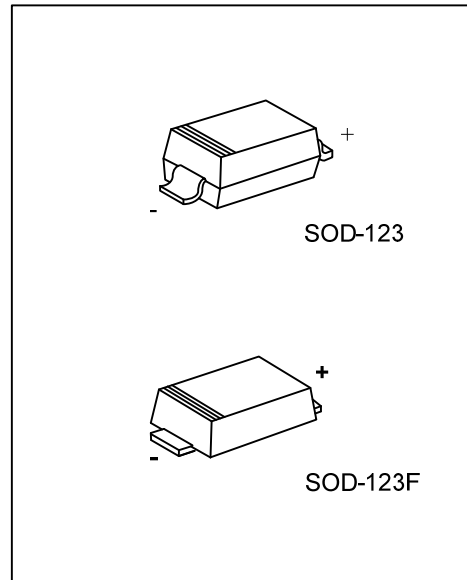
DESCRIPTION

The UTC **MBR0560** is a Schottky Rectifier with high current capacity, ultra low thermal resistance and low forward voltage.

The UTC **MBR0560** is suitable for surface mount applications.

FEATURES

- * Ultra Low Thermal Resistance
- * High Current Capability
- * Low Forward Voltage



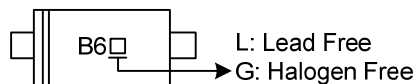
ORDERING INFORMATION

Ordering Number		Package	Pin Assignment		Packing
Lead Free	Halogen Free		1	2	
MBR0560L-CA2-R	MBR0560G-CA2-R	SOD-123	K	A	Tape Reel
MBR0560L-CA2F-R	MBR0560G-CA2F-R	SOD-123F	K	A	Tape Reel

Note: Pin Assignment: A: Anode K: Cathode

<p>MBR0560G-CA2-R</p> <p>(1) Packing Type (2) Package Type (3) Green Package</p>	<p>(1) R: Tape Reel (2) CA2: SOD-123, CA2F: SOD-123F (3) G: Halogen Free and Lead Free, L: Lead Free</p>
--	--

MARKING



■ ABSOLUTE MAXIMUM RATINGS (T_J=25°C, unless otherwise specified)

PARAMETER	SYMBOL	RATINGS	UNIT
Maximum Repetitive Peak Reverse Voltage	V _{RRM}	60	V
Working Peak Reverse Voltage	V _{RWM}	60	V
Maximum DC Blocking Voltage	V _R	60	V
Average Rectified Output Current	I _O	0.5	A
Non-Repetitive Peak Forward Surge Current 8.3ms single half sine-wave superimposed on rated load (JEDEC Method)	I _{FSM}	5.5	A
Operating Temperature	T _{OPR}	-55 ~ +150	°C
Storage Temperature	T _{STG}	-55 ~ +150	°C

Note: Absolute maximum ratings are those values beyond which the device could be permanently damaged. Absolute maximum ratings are stress ratings only and functional device operation is not implied.

■ THERMAL CHARACTERISTICS (PER LEG)

PARAMETER	SYMBOL	RATINGS	UNIT
Typical Thermal Resistance	θ _{JL}	20	°C/W
		30 (Note)	°C/W

Note: FR-4 PCB, 2 oz Copper. Minimum recommended pad layout.

■ ELECTRICAL CHARACTERISTICS (PER LEG) (T_A=25°C, unless otherwise specified)

PARAMETER	SYMBOL	TEST CONDITIONS	MIN	TYP	MAX	UNIT
Reverse Breakdown Voltage	V _{(BR)R}	I _R =0.50mA	60			V
Forward Voltage Drop	V _{FM}	I _F =0.5A, T _C =25°C			0.7	V
Leakage Current	I _{RM}	Rated DC Voltage, T _C =25°C			200	µA
Junction Capacitance (Note 2)	C _J			30		pF

Notes: 1. Pulse Test: Pulse width ≤ 300µs, Duty cycle ≤ 2%.
 2. Measured at 1.0 MHz and applied reverse voltage of 4.0V D.C.

UTC assumes no responsibility for equipment failures that result from using products at values that exceed, even momentarily, rated values (such as maximum ratings, operating condition ranges, or other parameters) listed in products specifications of any and all UTC products described or contained herein. UTC products are not designed for use in life support appliances, devices or systems where malfunction of these products can be reasonably expected to result in personal injury. Reproduction in whole or in part is prohibited without the prior written consent of the copyright owner. UTC reserves the right to make changes to information published in this document, including without limitation specifications and product descriptions, at any time and without notice. This document supersedes and replaces all information supplied prior to the publication hereof.