



1N90

Power MOSFET

1 Amps, 900 Volts N-CHANNEL POWER MOSFET

DESCRIPTION

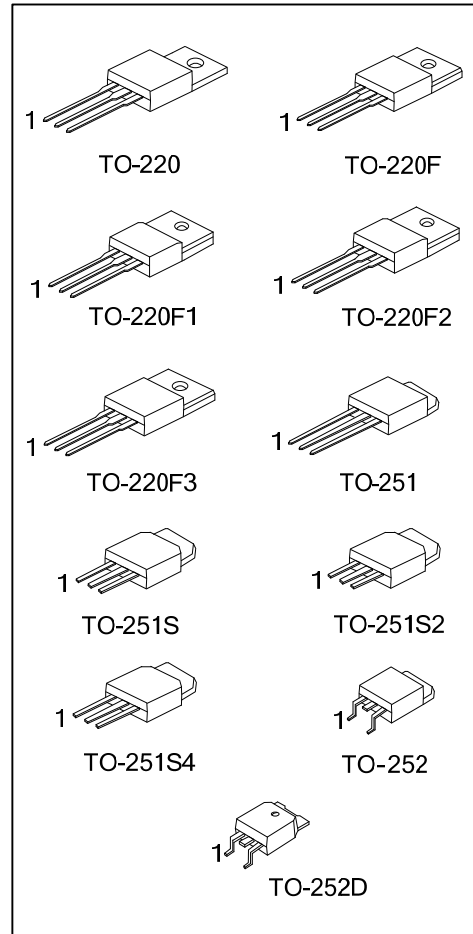
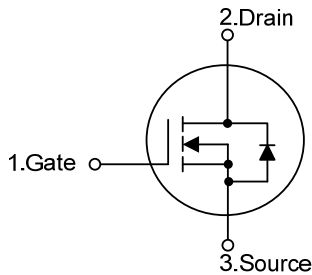
The UTC **1N90** is an N-channel mode power MOSFET, using UTC's advanced technology to provide customers planar stripe and DMOS technology. This technology specializes in allowing a minimum on-state resistance, superior switching performance. It also can withstand high energy pulse in the avalanche and commutation mode.

The UTC **1N90** is universally applied in high efficiency switch mode power supply.

FEATURES

- * $R_{DS(on)} < 16\Omega @ V_{GS}=10V, I_D = 0.5A$
- * High switching speed
- * Improved dv/dt capability
- * 100% avalanche tested

SYMBOL



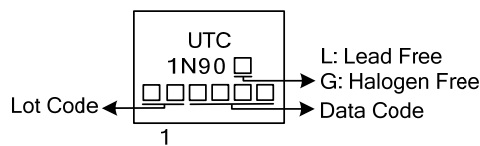
ORDERING INFORMATION

Ordering Number		Package	Pin Assignment			Packing
Lead Free	Halogen Free		1	2	3	
1N90L-TA3-T	1N90G-TA3-T	TO-220	G	D	S	Tube
1N90L-TF3-T	1N90G-TF3-T	TO-220F	G	D	S	Tube
1N90L-TF1-T	1N90G-TF1-T	TO-220F1	G	D	S	Tube
1N90L-TF2-T	1N90G-TF2-T	TO-220F2	G	D	S	Tube
1N90L-TF3-T	1N90G-TF3-T	TO-220F3	G	D	S	Tube
1N90L-TM3-T	1N90G-TM3-T	TO-251	G	D	S	Tube
1N90L-TMS-T	1N90G-TMS-T	TO-251S	G	D	S	Tube
1N90L-TMS2-T	1N90G-TMS2-T	TO-251S2	G	D	S	Tube
1N90L-TMS4-T	1N90G-TMS4-T	TO-251S4	G	D	S	Tube
1N90L-TN3-R	1N90G-TN3-R	TO-252	G	D	S	Tape Reel
1N90L-TND-R	1N90G-TND-R	TO-252D	G	D	S	Tape Reel

Note: Pin Assignment: G: Gate D: Drain S: Source

<p>1N90L-TA3-T</p> <ul style="list-style-type: none"> (1) Packing Type (2) Package Type (3) Green Package 	<ul style="list-style-type: none"> (1) T: Tube, R: Tape Reel (2) TA3: TO-220, TF3: TO-220F, TF1: TO-220F1, TF2: TO-220F2, TF3: TO-220F3, TM3: TO-251, TMS: TO-251S, TMS2: TO-251S2, TMS4: TO-251S4, TN3: TO-252, TND: TO-252D (3) L: Lead Free, G: Halogen Free and Lead Free
--	--

MARKING



■ ABSOLUTE MAXIMUM RATINGS (T_c=25°C, unless otherwise specified)

PARAMETER		SYMBOL	RATINGS	UNIT
Drain-Source Voltage		V _{DSS}	900	V
Gate-Source Voltage		V _{GSS}	±30	V
Drain Current	Continuous	I _D	1.0	A
	Pulsed (Note 2)	I _{DM}	4.0	A
Avalanche Current (Note 2)		I _{AR}	1.0	A
Avalanche Energy	Single Pulsed (Note 3)	E _{AS}	90	mJ
	Repetitive (Note 2)	E _{AR}	4.5	mJ
Peak Diode Recovery dv/dt (Note 4)		dv/dt	4.0	V/ns
Power Dissipation	TO-220	P _D	40	W
	TO-220F/TO-220F1		23	W
	TO-220F3			
	TO-220F2		24	W
	TO-251/TO-251S TO-251S2/TO-251S4 TO-252/TO-252D		28	W
Junction Temperature		T _J	+150	°C
Storage Temperature		T _{STG}	-55~+150	°C

Notes: 1. Absolute maximum ratings are those values beyond which the device could be permanently damaged.

Absolute maximum ratings are stress ratings only and functional device operation is not implied.

2. Repetitive Rating: Pulse width limited by maximum junction temperature.

3. L=170mH, I_{AS}=1.0A, V_{DD}= 50V, R_G=25Ω, Starting T_J=25°C

4. I_{SD} ≤ 1.0A, di/dt ≤ 200A/μs, V_{DD} ≤ BV_{DSS}, Starting T_J=25°C

■ THERMAL DATA

PARAMETER		SYMBOL	RATINGS	UNIT
Junction to Ambient	TO-220	θ _{JA}	62.5	°C/W
	TO-220F/TO-220F1		62.5	°C/W
	TO-220F2/TO-220F3			
	TO-251/TO-251S TO-251S2/TO-251S4 TO-252/TO-252D		110	°C/W
Junction to Case	TO-220	θ _{JC}	3.13	°C/W
	TO-220F/TO-220F1		5.35	°C/W
	TO-220F3			
	TO-220F2		5.3	°C/W
	TO-251/TO-251S TO-251S2/TO-251S4 TO-252/TO-252D		4.53	°C/W

■ ELECTRICAL CHARACTERISTICS (T_c=25°C, unless otherwise specified)

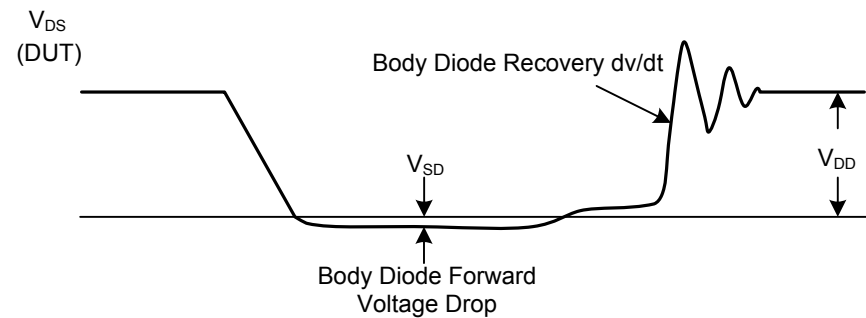
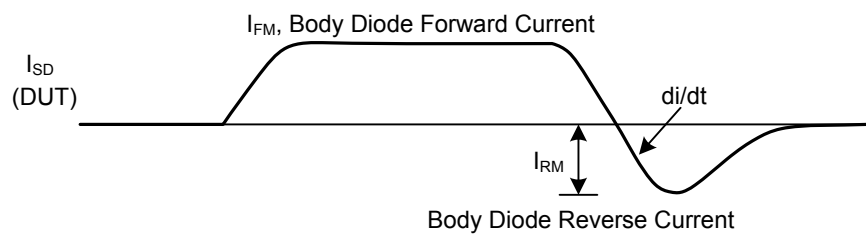
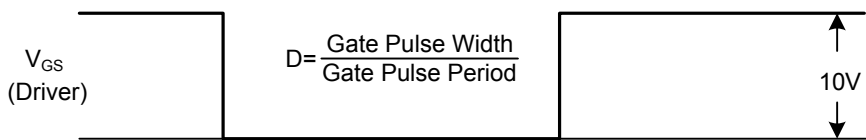
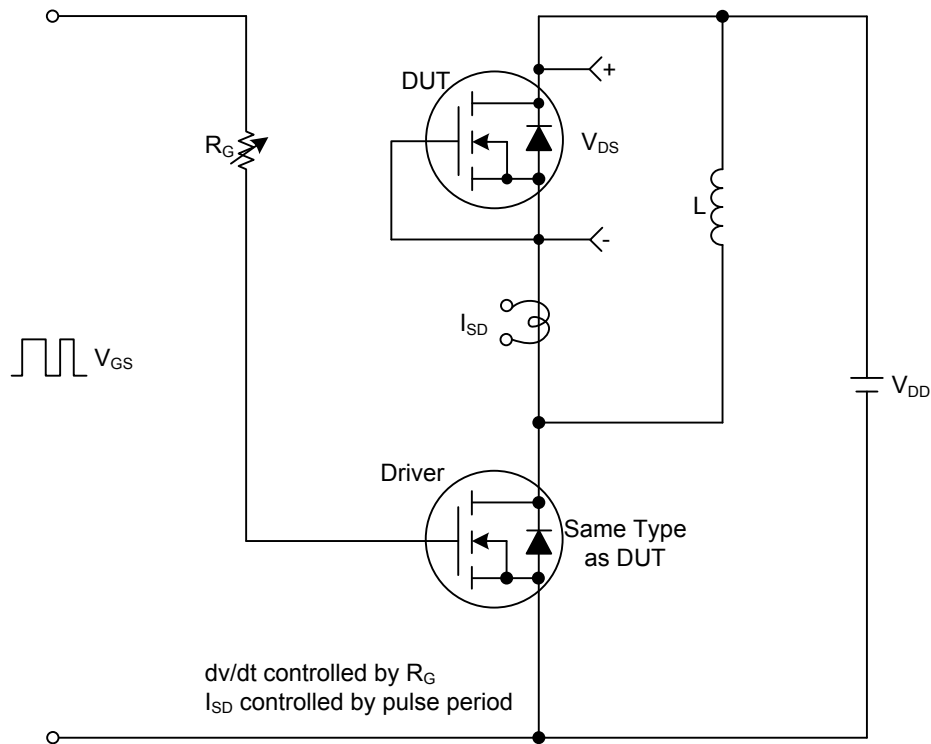
PARAMETER	SYMBOL	TEST CONDITIONS	MIN	TYP	MAX	UNIT
OFF CHARACTERISTICS						
Drain-Source Breakdown Voltage	BV _{DSS}	V _{GS} =0V, I _D =250μA	900			V
Breakdown Voltage Temperature Coefficient	ΔBV _{DSS} /ΔT _J	I _D =250μA, Referenced to 25°C		1.0		V/°C
Drain-Source Leakage Current	I _{DSS}	V _{DS} =900V, V _{GS} =0V			10	μA
		V _{DS} =720V, T _c =125°C			100	μA
Gate-Source Leakage Current	Forward	V _{DS} =0V, V _{GS} =30V			100	nA
	Reverse	V _{DS} =0V, V _{GS} =-30V			-100	nA
ON CHARACTERISTICS						
Gate Threshold Voltage	V _{GS(TH)}	V _{DS} =V _{GS} , I _D =250μA	3.0		5.0	V
Drain-Source On-State Resistance	R _{DS(ON)}	V _{GS} =10V, I _D =0.5A		12	16	Ω
Forward Transconductance	g _{FS}	V _{DS} =50V, I _D =0.5A (Note 1)		0.75		S
DYNAMIC PARAMETERS						
Input Capacitance	C _{ISS}	V _{DS} =25V, V _{GS} =0V, f=1.0MHz		200	250	pF
Output Capacitance	C _{OSS}			22	26	pF
Reverse Transfer Capacitance	C _{RSS}			5	7	pF
SWITCHING PARAMETERS						
Turn-ON Delay Time	t _{D(ON)}	V _{DD} =30V, I _D =1.0A, R _G =25Ω (Note 1,2)		37	45	ns
Turn-ON Rise Time	t _R			10	40	ns
Turn-OFF Delay Time	t _{D(OFF)}			50	60	ns
Turn-OFF Fall Time	t _F			26	60	ns
Total Gate Charge	Q _G	V _{DS} =120V, V _{GS} =10V, I _D =1.0A (Note 1,2)		25	35	nC
Gate-Source Charge	Q _{GS}			3		nC
Gate-Drain Charge	Q _{GD}			4		nC
SOURCE- DRAIN DIODE RATINGS AND CHARACTERISTICS						
Maximum Body-Diode Continuous Current	I _S				1.0	A
Maximum Body-Diode Pulsed Current	I _{SM}				4.0	A
Drain-Source Diode Forward Voltage	V _{SD}	I _S =1.0A, V _{GS} =0V			1.4	V
Body Diode Reverse Recovery Time	t _{RR}	V _{GS} =0V, I _S =1.0A,		300		ns
Body Diode Reverse Recovery Charge	Q _{RR}	dI _F /dt=100A/μs (Note 1)		0.6		μC

Notes: 1. Pulse Test: Pulse width ≤ 300μs, Duty cycle ≤ 2%

2. Essentially independent of operating temperature.

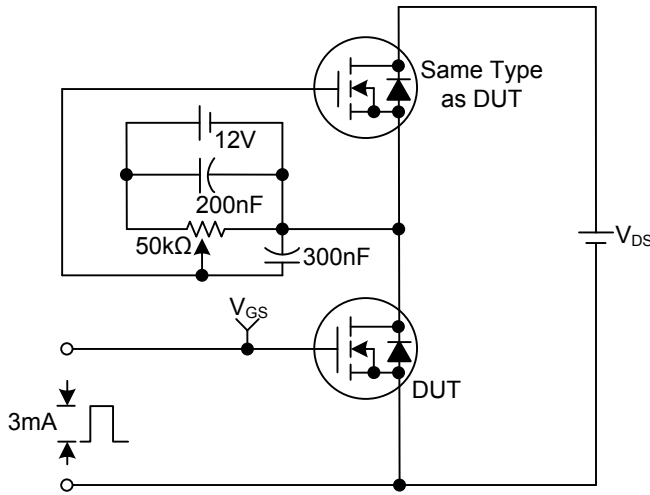
■ TEST CIRCUITS AND WAVEFORMS

Peak Diode Recovery dv/dt Test Circuit & Waveforms

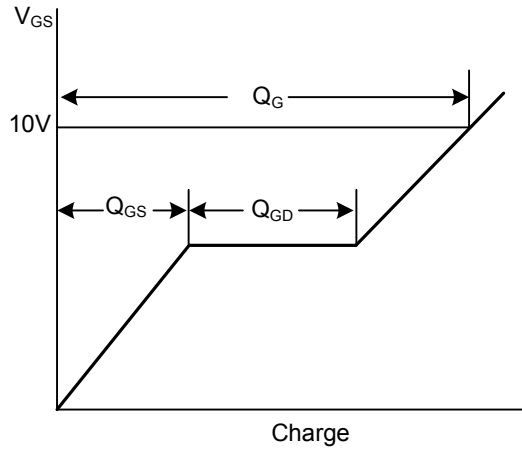


■ TEST CIRCUITS AND WAVEFORMS(Cont.)

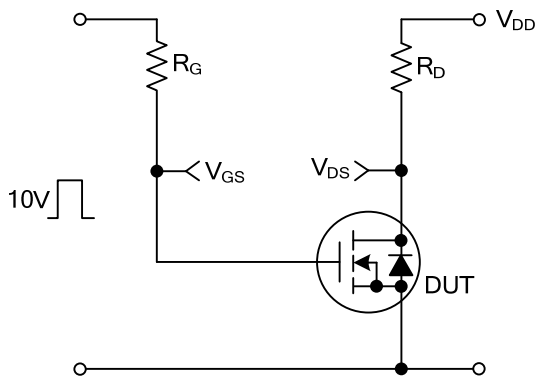
Gate Charge Test Circuit



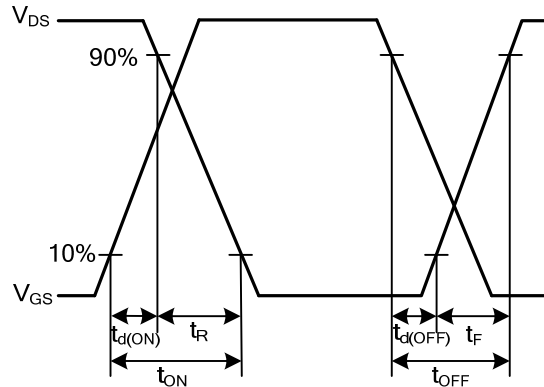
Gate Charge Waveforms



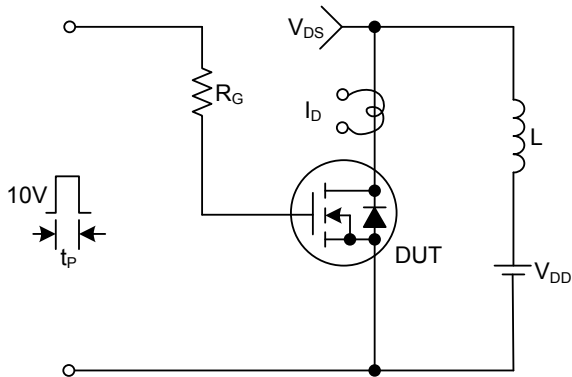
Resistive Switching Test Circuit



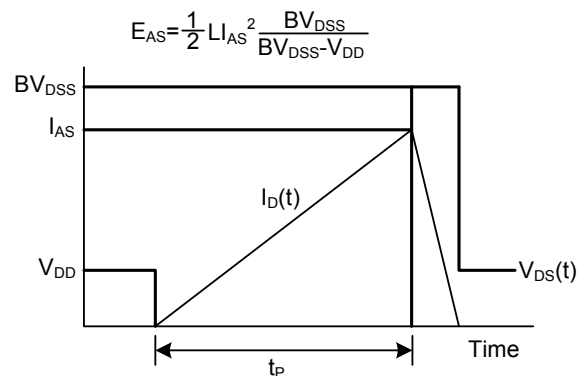
Resistive Switching Waveforms



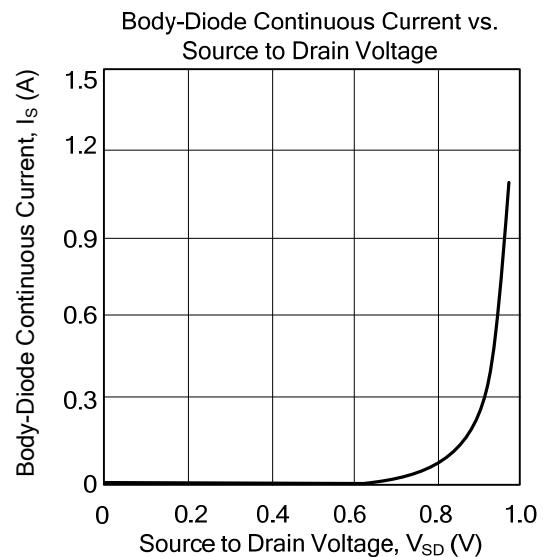
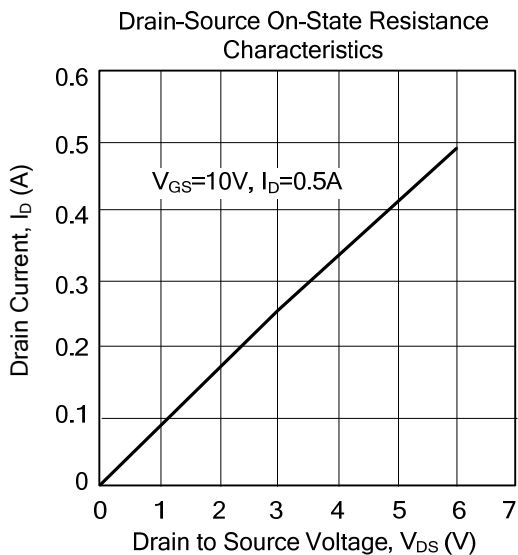
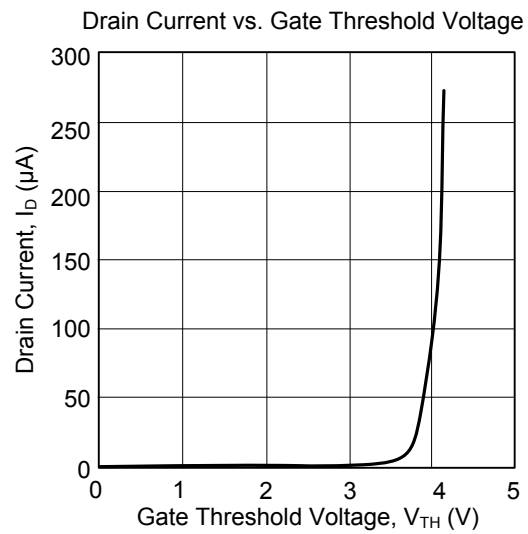
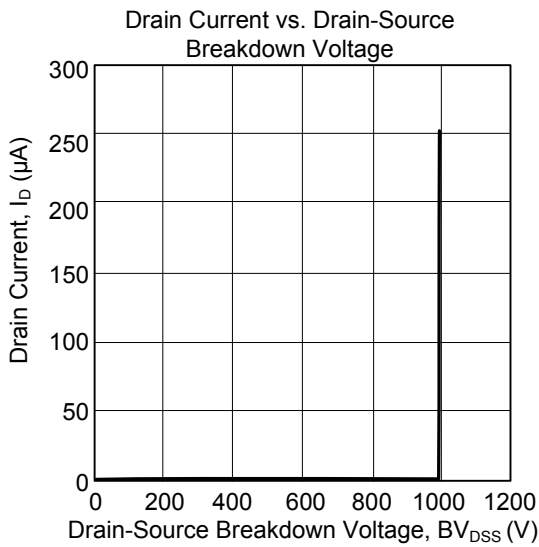
Unclamped Inductive Switching Test Circuit



Unclamped Inductive Switching Waveforms



TYPICAL CHARACTERISTICS



UTC assumes no responsibility for equipment failures that result from using products at values that exceed, even momentarily, rated values (such as maximum ratings, operating condition ranges, or other parameters) listed in products specifications of any and all UTC products described or contained herein. UTC products are not designed for use in life support appliances, devices or systems where malfunction of these products can be reasonably expected to result in personal injury. Reproduction in whole or in part is prohibited without the prior written consent of the copyright owner. The information presented in this document does not form part of any quotation or contract, is believed to be accurate and reliable and may be changed without notice.