

# UTC D65H2 PNP EXPITAXIAL SILICON TRANSISTOR

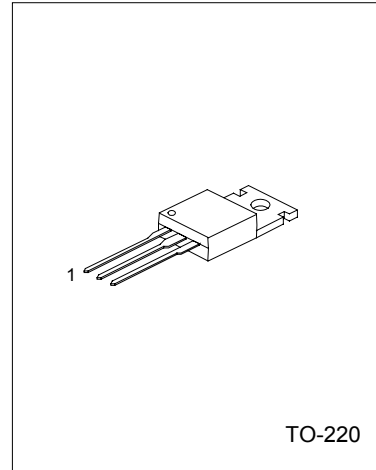
## PNP EXPITAXIAL SILICON TRANSISTOR

### DESCRIPTION

The UTC D65H2 is a general purpose power application and switching.

### FEATURE

- \*Low Collector-Emitter Saturation Voltage  
VCE(sat)=-1v(MAX)@-15A
- \*Fast Switching Speeds



1:BASE 2:COLLECTOR 3:EMITTER

### ABSOLUTE MAXIMUM RATINGS(Ta=25°C)

PARAMETER	SYMBOL	VALUE	UNIT
Collector to Emitter Voltage	VCEO	-30	V
Emitter To Base Voltage	VEBO	-5	V
Collector Current(DC)	IC	-15	A
Collector Current(Pulse)	IC	-25	A
Collector Dissipation(Tc=25°C)	Pc	50	W
Collector Dissipation(Ta=25°C)	Pc	1.67	W
Junction Temperature	Tj	150	°C
Storage Temperature	Tstg	-55 ~ +150	°C

\*PW<=10mS,Duty Cycle<=50%

### ELECTRICAL CHARACTERISTICS(Ta=25°C)

PARAMETER	SYMBOL	TEST CONDITIONS	MIN	TYP	MAX	UNIT
Collector Cutoff Current	ICES	VCE=Rated ; VCEO,VEB=0			-10	μA
Emitter Cutoff current	IEBO	VEB=-5V,IC=0			-10	μA
Collector Emitter Saturation Voltage	VCE(SAT)	IC=-10A,IB=-0.1A			0.6	V
Base Emitter Saturation Voltage	VBE(SAT)	IC=-10A,IB=-1A			-1.5	V
DC Current Gain	hFE1	IC= -10A,VCE=-1V	100			
Current Gain Bandwidth Product	FT	VCE=-10V,IC=-0.5A		40		MHZ
Output Capacitance	CCB	VCB=-10V,f=1MHZ		350		PF
Turn On Time	ton	IC=-5A,IB=-0.5A		150		nS
Storage Time	tstg	IB=-0.5A		600		nS
Fall Time	tf			120		nS

# UTC D65H2      PNPEXPITAXIAL SILICON TRANSISTOR

---

UTC assumes no responsibility for equipment failures that result from using products at values that exceed, even momentarily, rated values (such as maximum ratings, operating condition ranges, or other parameters) listed in products specifications of any and all UTC products described or contained herein. UTC products are not designed for use in life support appliances, devices or systems where malfunction of these products can be reasonably expected to result in personal injury. Reproduction in whole or in part is prohibited without the prior written consent of the copyright owner. The information presented in this document does not form part of any quotation or contract, is believed to be accurate and reliable and may be changed without notice.