

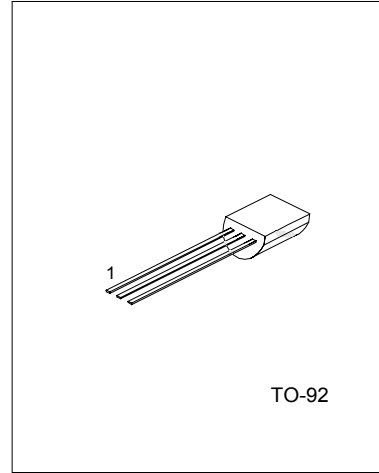
PNP HIGH-VOLTAGE TRANSISTORS

FEATURES

*Low feedback capacitance.

APPLICATIONS

*Intended for use in video output stages of black and white and color television receivers.



1:EMITTER 2:COLLECTOR 3:BASE

ABSOLUTE MAXIMUM RATINGS

PARAMETERS	SYMBOL	RATING	UNIT
Collector-base voltage	V _{CB0}	-350	V
Collector-emitter voltage	V _{CEO}	-350	V
Emitter-base voltage	V _{EBO}	-5	V
Collector current (DC)	I _c	-100	mA
Peak collector current	I _{cP}	-200	mA
Peak base current	I _{BP}	-100	mA
Collector dissipation T _a ≦ 25°C (note 1)	P _c	830	mW
Junction temperature	T _j	150	°C
Storage temperature	T _{stg}	-65~+150	°C
Operating ambient temperature	T _{amb}	-65~+150	°C

Note 1: transistor mounted on a printed-circuit board.

THERMAL CHARACTERISTICS

PARAMETERS	SYMBOL	CONDITIONS	VALUE	UNIT
Thermal resistance from junction to ambient	R _{th j-a}	NOTE 1	150	K/W

ELECTRICAL CHARACTERISTICS (T_j=25°C unless otherwise specified)

PARAMETER	SYMBOL	TEST CONDITIONS	MIN	MAX	UNIT
Collector cut-off current	I _{cBO}	V _{CB} = -300V, I _E =0		-20	nA
		V _{CB} = -200V, I _E =0, T _j =150°C		-20	μA
Emitter cut-off current	I _{EBO}	V _{EB} = -5V, I _c =0		-100	nA
DC current gain	h _{FE}	V _{CE} = -20V, I _c = -25mA	50		
		V _{CE} = -20V, I _c = -40mA	20		

PARAMETER	SYMBOL	TEST CONDITIONS	MIN	MAX	UNIT
Collector-emitter saturation voltage	$V_{CE(sat)}$	$I_c = -20\text{mA}, I_B = -2\text{mA}$		-0.5	V
collector capacitance	C_c	$V_{CB} = -20\text{V}, I_E = I_C = 0, f = 1\text{MHz}$		4	pF
Feedback capacitance	C_{re}	$V_{CB} = -30\text{V}, I_C = I_E = 0, f = 1\text{MHz}$		2.5	pF
Transition frequency	f_T	$V_{CE} = -10\text{V}, I_c = -10\text{mA}, f = 100\text{MHz}$	70	110	MHz

UTC assumes no responsibility for equipment failures that result from using products at values that exceed, even momentarily, rated values (such as maximum ratings, operating condition ranges, or other parameters) listed in products specifications of any and all UTC products described or contained herein. UTC products are not designed for use in life support appliances, devices or systems where malfunction of these products can be reasonably expected to result in personal injury. Reproduction in whole or in part is prohibited without the prior written consent of the copyright owner. The information presented in this document does not form part of any quotation or contract, is believed to be accurate and reliable and may be changed without notice.