



## BU931Z

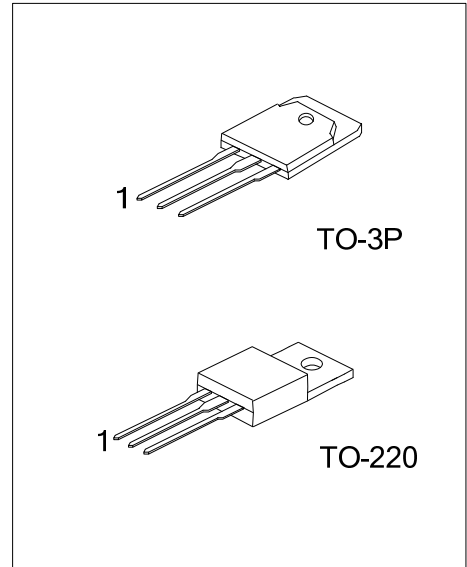
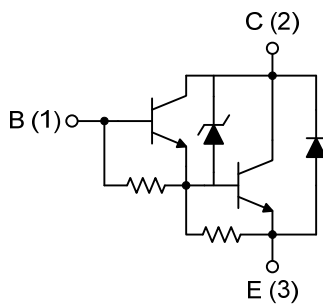
### NPN SILICON TRANSISTOR

## NPN POWER DARLINGTON

### FEATURES

- \* High Operating Junction Temperature
- \* High Voltage Ignition Coil Driver
- \* Very Rugged Bipolar Technology

### INTERNAL SCHEMATIC DIAGRAM



### ORDERING INFORMATION

Ordering Number		Package	Pin Assignment			Packing
Lead Free	Halogen Free		1	2	3	
BU931ZL-TA3-T	BU931ZG-TA3-T	TO-220	B	C	E	Tube
BU931ZL-T3P-T	BU931ZG-T3P-T	TO-3P	B	C	E	Tube

<p>BU931Z-TA3-T</p> <p>(1) Packing Type (2) Package Type (3) Lead Free</p>	<p>(1) T: Tube (2) TA3: TO-220, T3P: TO-3P (3) L: Lead Free, G: Halogen Free</p>
--	--

■ ABSOLUTE MAXIMUM RATINGS (T<sub>A</sub>=25°C)

PARAMETER	SYMBOL	RATINGS	UNIT
Collector-Emitter Voltage	BV <sub>CEO</sub>	350	V
Emitter-Base Voltage	BV <sub>EBO</sub>	5	V
Collector Current (DC)	I <sub>C</sub>	10	A
Collector Peak Current	I <sub>CM</sub>	15	A
Base Current	I <sub>B</sub>	1	A
Base Peak Current	I <sub>BM</sub>	5	A
Total Dissipation (T <sub>C</sub> = 25 °C)	TO-220	120	W
	TO-3P	125	
Junction Temperature	T <sub>J</sub>	+175	°C
Storage Temperature	T <sub>STG</sub>	-65 ~ +175	°C

■ ELECTRICAL CHARACTERISTICS

PARAMETER	SYMBOL	TEST CONDITIONS	MIN	TYP	MAX	UNIT
Collector Cut-off Current	I <sub>CEO</sub>	V <sub>CE</sub> = 250V			100	μA
Emitter Cut-off Current	I <sub>EBO</sub>	V <sub>EB</sub> = 5V			20	mA
Clamping voltage	V <sub>CL</sub>	I <sub>C</sub> = 100mA	400			V
Collector-Emitter Saturation Voltage	V <sub>CE(SAT)1</sub>	I <sub>C</sub> = 7 A, I <sub>B</sub> = 70 mA			1.6	V
	V <sub>CE(SAT)2</sub>	I <sub>C</sub> = 8 A, I <sub>B</sub> = 100 mA			1.8	V
Base-Emitter Saturation Voltage	V <sub>BE(SAT)1</sub>	I <sub>C</sub> = 7 A, I <sub>B</sub> = 70 mA			2.2	V
	V <sub>BE(SAT)2</sub>	I <sub>C</sub> = 8 A, I <sub>B</sub> = 100 mA			2.4	V
DC Current Gain	h <sub>FE</sub>	V <sub>CE</sub> = 10 V, I <sub>C</sub> = 5 A	300			
Diode Forward Voltage	V <sub>F</sub>	I <sub>F</sub> = 8 A			2.5	V
Inductive Load Storage Time / Fall Time	t <sub>S</sub>	V <sub>CC</sub> = 12 V, V <sub>clamp</sub> = 300 V L = 7 mH, I <sub>C</sub> = 7 A, I <sub>B</sub> = 70 mA		15		μs
	t <sub>F</sub>	V <sub>BE</sub> = 0, R <sub>BE</sub> = 47Ω		0.5		μs

UTC assumes no responsibility for equipment failures that result from using products at values that exceed, even momentarily, rated values (such as maximum ratings, operating condition ranges, or other parameters) listed in products specifications of any and all UTC products described or contained herein. UTC products are not designed for use in life support appliances, devices or systems where malfunction of these products can be reasonably expected to result in personal injury. Reproduction in whole or in part is prohibited without the prior written consent of the copyright owner. The information presented in this document does not form part of any quotation or contract, is believed to be accurate and reliable and may be changed without notice.